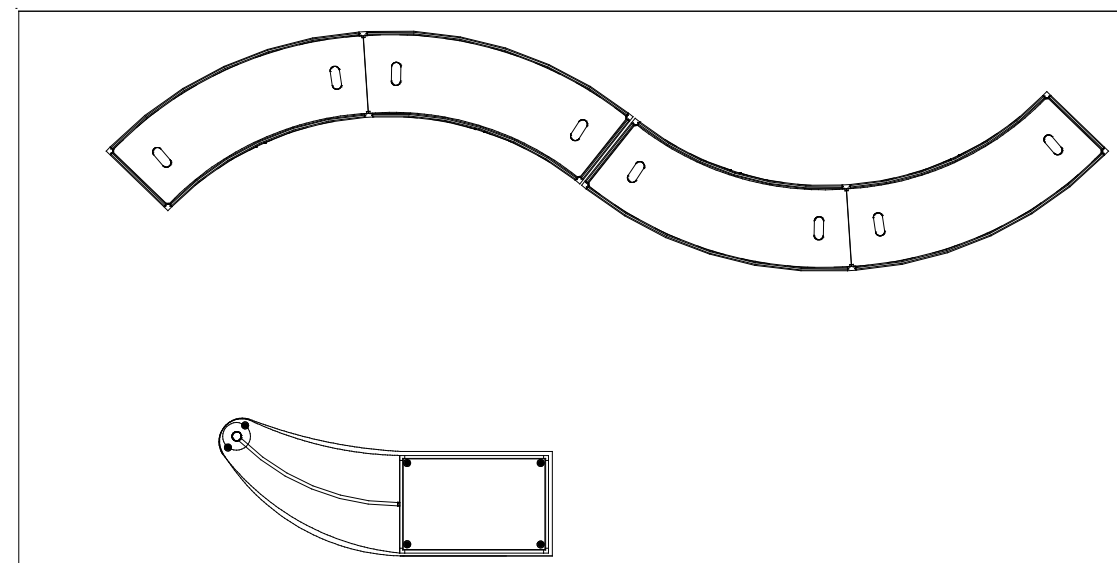


Perspective View



Plan View 20'

10'

General Setup Instructions

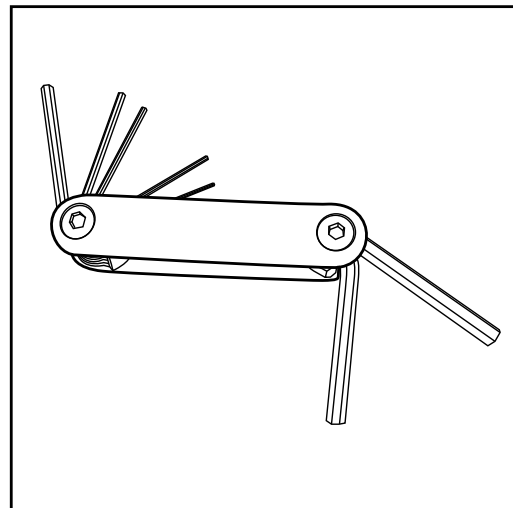
- Read entire setup instruction manual prior to unpacking parts and pieces.
- The setup instructions are created specifically for this configuration.
- Setup instructions are laid out sequentially in steps, including exploded views with detailed explanation for assembly.

Cleaning & Packing

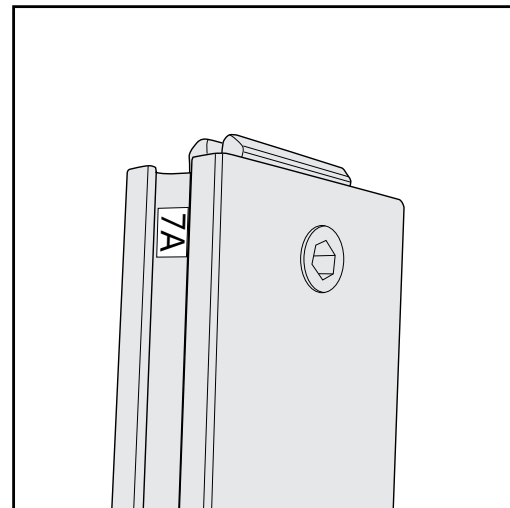
- For Cleaning Metal, Plex, & Laminate Parts: Use a **MILD NON-ABRASIVE** cleanser and soft cloth/paper towel to clean all surfaces.
- Keep exhibit components away from heat and prolonged sun exposure.
Heat and UV exposure will warp and fade components.
- Retain all provided Packing Materials. All provided packing materials are for ease of repacking & component protection.

Disassembly

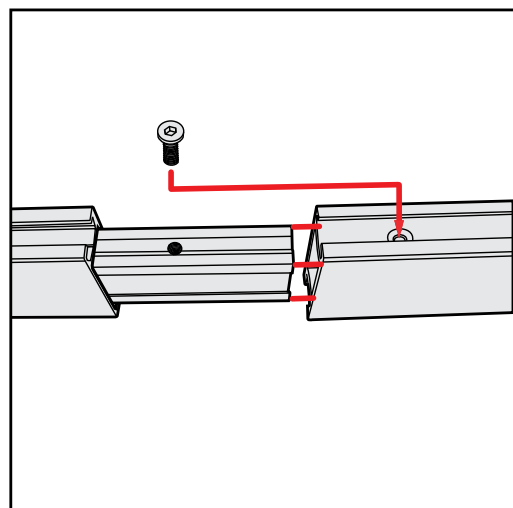
- For loss prevention, tighten all setscrews and locks during disassembly



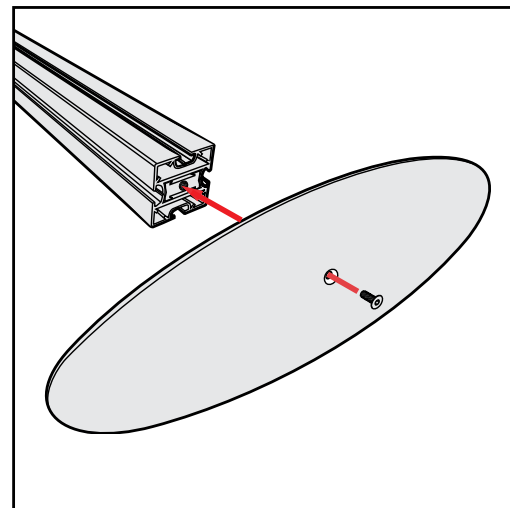
Hex Tool - Essential for Assembly



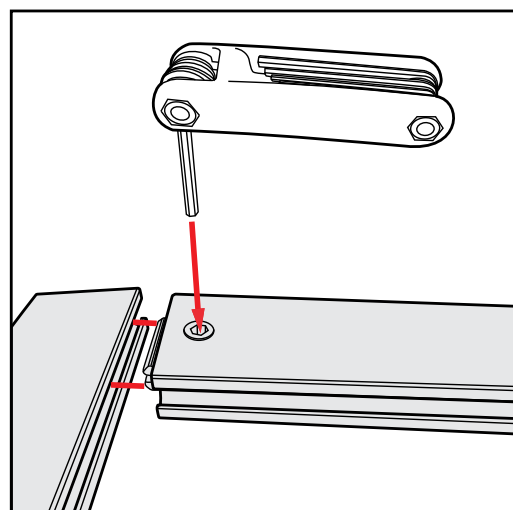
Part Identification - Numbering



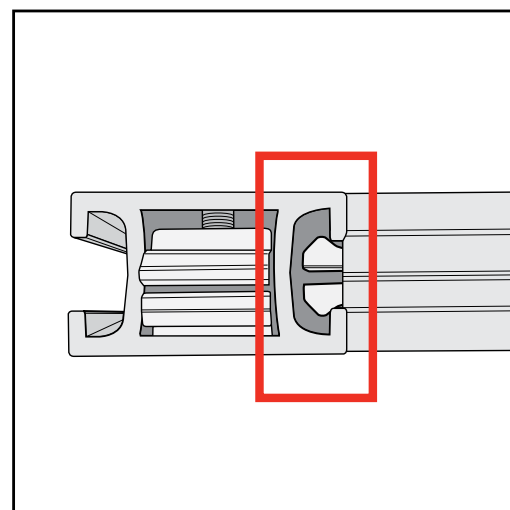
Spline Connection



Base Plate & Extrusion Connection



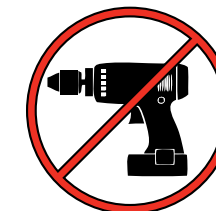
Extrusion & Lock Connection



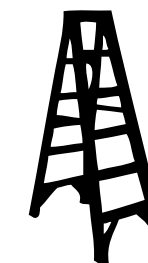
Engaged Lock



WARNING



DO NOT USE POWER TOOLS



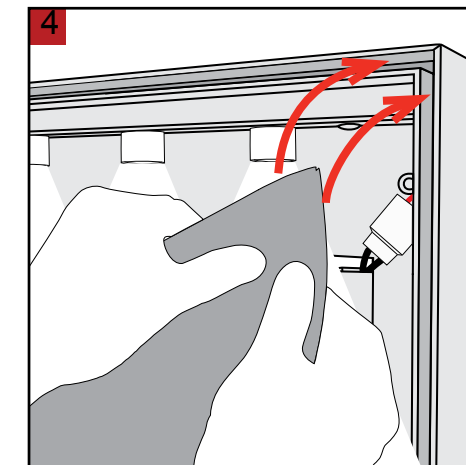
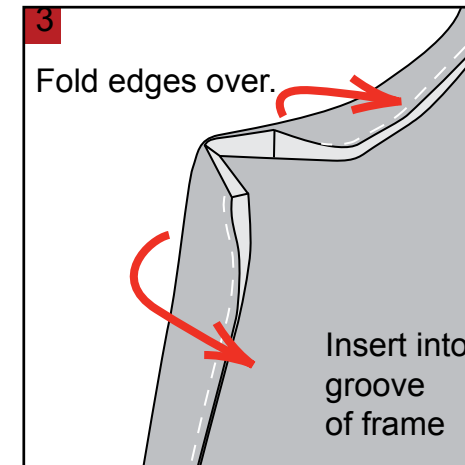
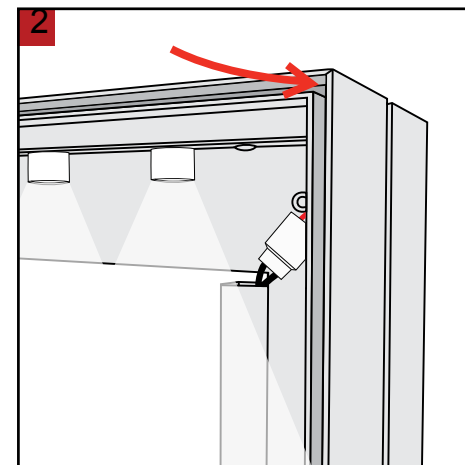
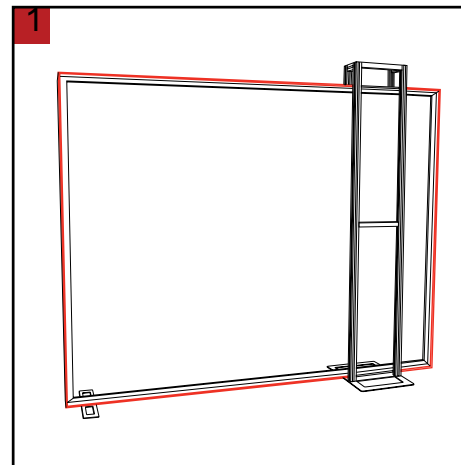
LADDERS OR LIFTS
MAY BE REQUIRED



ALL CONNECTIONS MUST
BE TIGHTLY SECURED

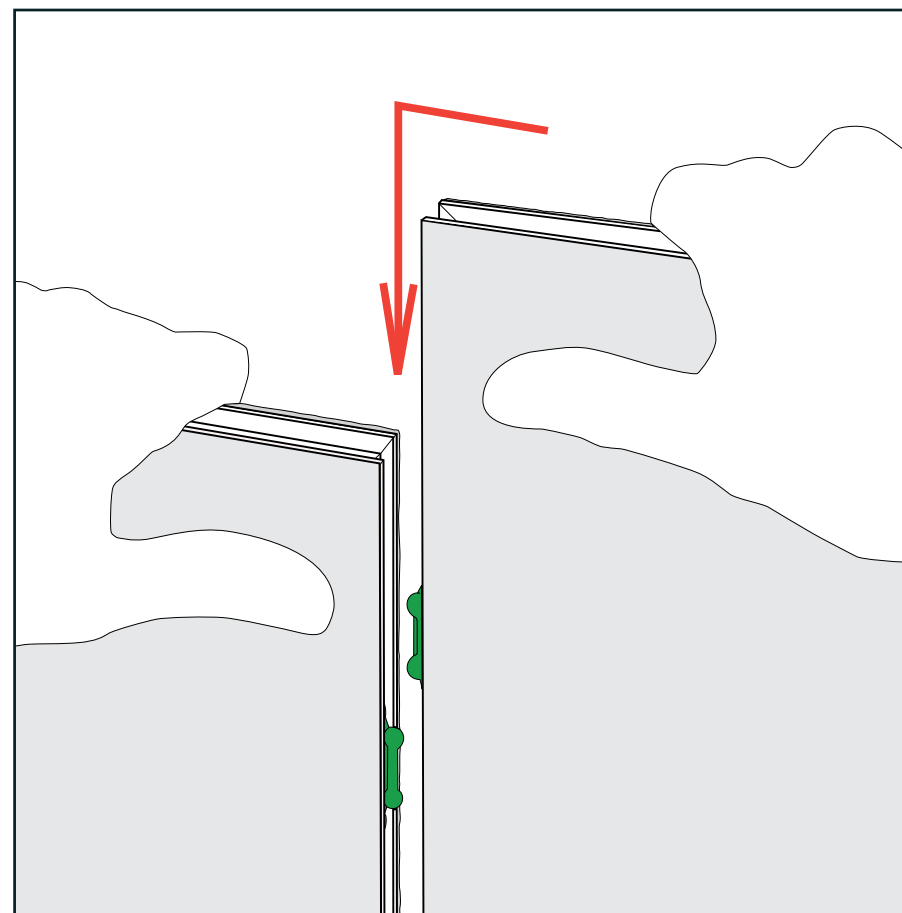
SEG Graphic Installation

- 1) Locate channels along the edges of extrusions
- 2) Insert graphic corners first into channels then center point of graphic into channels. Allows for proportional fit around the perimeter of the extrusion.
- 3) Working from center to corner, slide silicon edge on graphic into channel.
- 4) After all edges of graphic have been inserted into channels, step back and assess graphic fit, make adjustments where needed.



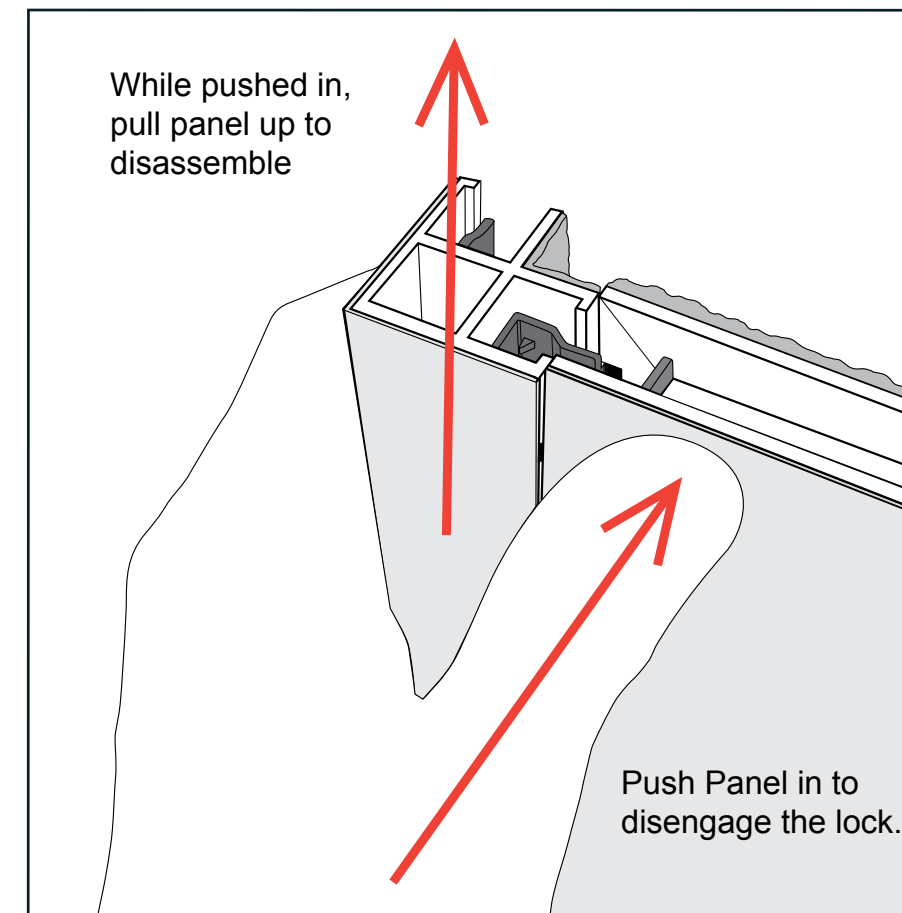
LT Panel Assembly

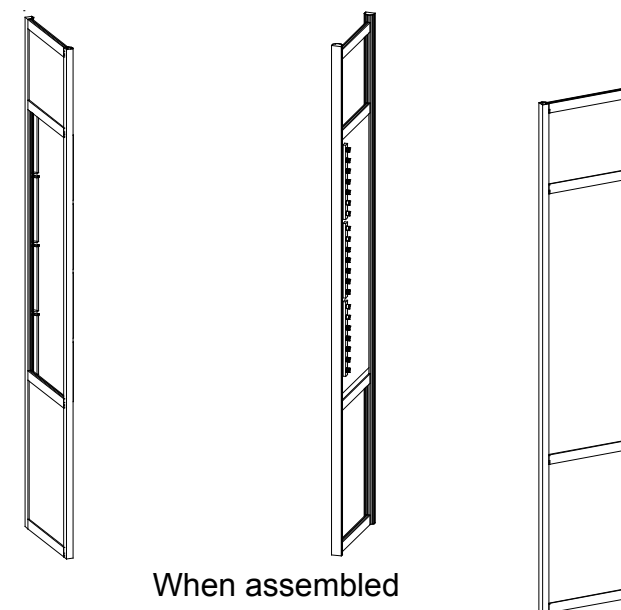
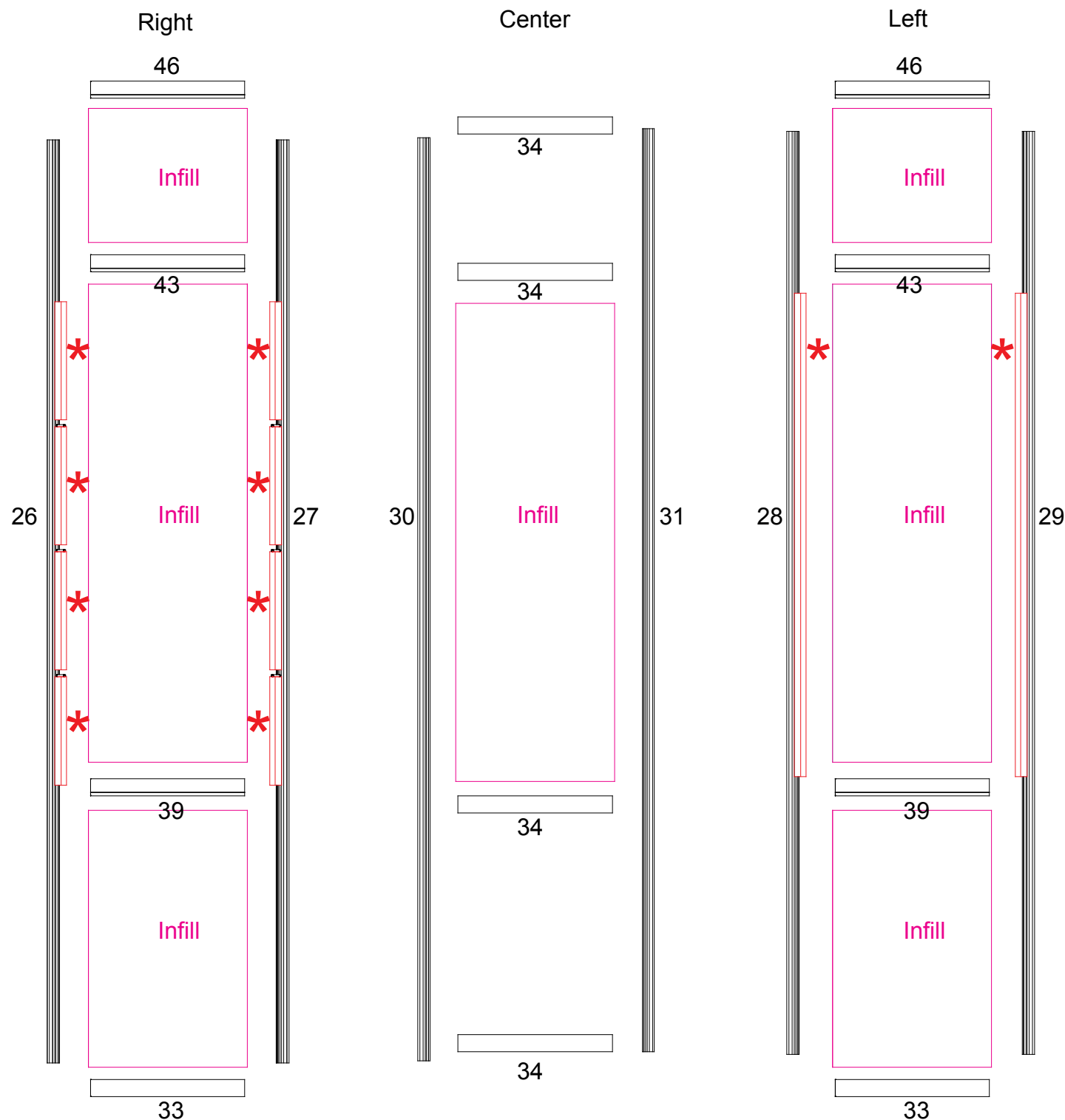
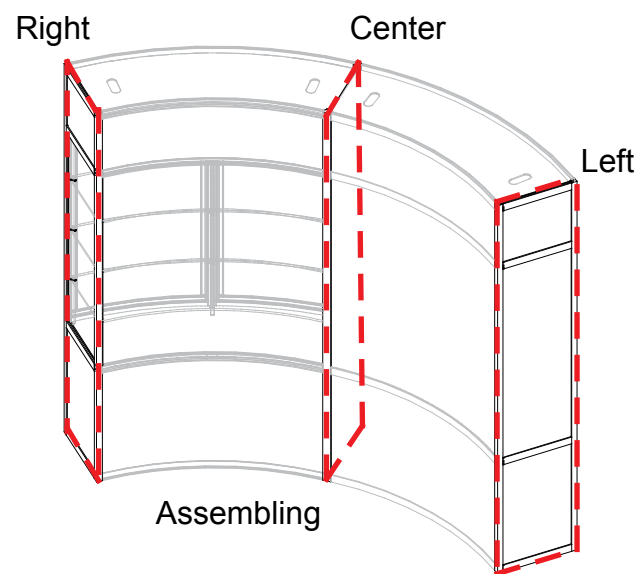
- 1) With a vertical offset, place LT-Panels side-by-side; slide vertically offset panel down to lock panels together and in place.
- 2) Corner Connectors (90°, T-Connector, Straight Connector) connect just as panels connect together. Repeat Step 1 for installing corner connectors to panels.



LT Panel Disassembly

- 1) To disassemble push panel with upper locks horizontally to disengage top lock clip.
- 2) Slide panels or connectors vertically in opposing directions to release latches and disconnect parts.



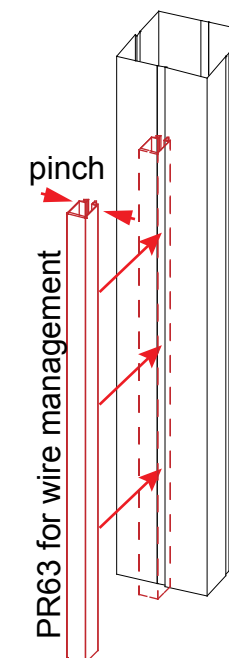


Item	Qty.	Description
26	1	96" h Vertical Extrusion
27	1	96" h Vertical Extrusion
28	1	96" h Vertical Extrusion
29	1	96" h Vertical Extrusion
30	1	96" h Vertical Extrusion
31	1	96" h Vertical Extrusion
33	2	16" w Horizontal Extrusion
34	4	16" w Horizontal Extrusion
39	2	16" w Horizontal Extrusion
43	2	16" w Horizontal Extrusion
46	2	16" w Horizontal Extrusion

Steps:
1) Connect horizontal extrusions between verticals
Placing Infills between each vertical
where indicated.

Wire Management Attachment *

- Steps:
- 1) Run cords through plastic conduit.
 - 2) Attach conduit where indicated by pinching the opening and inserting into the groove.

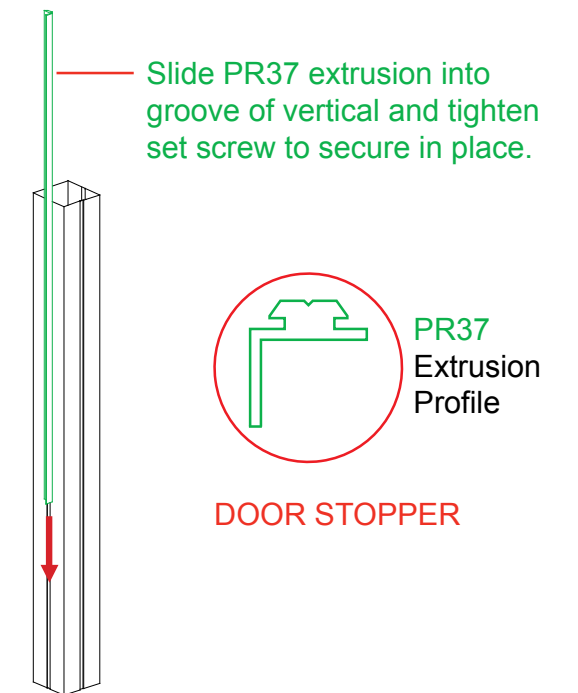
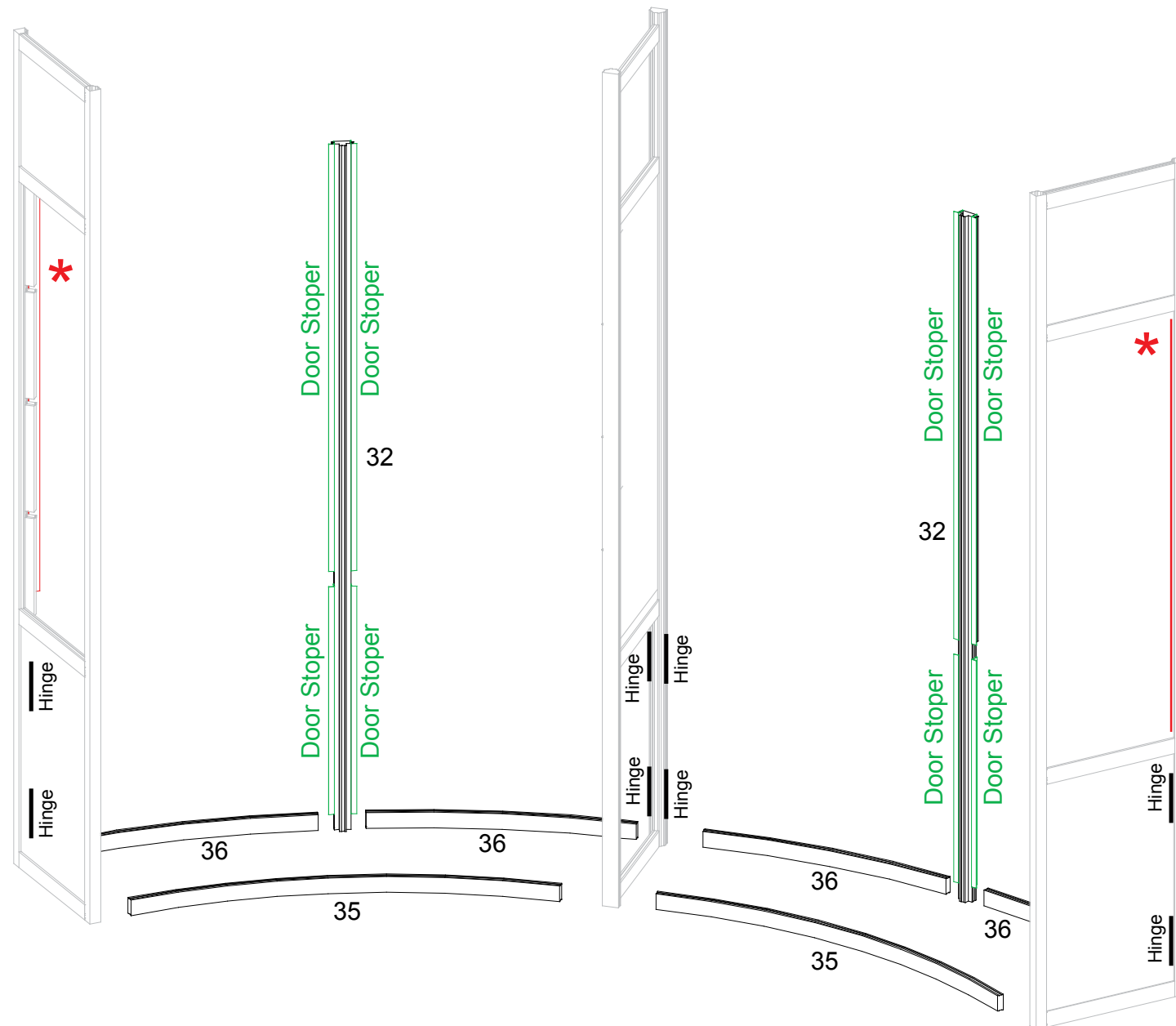
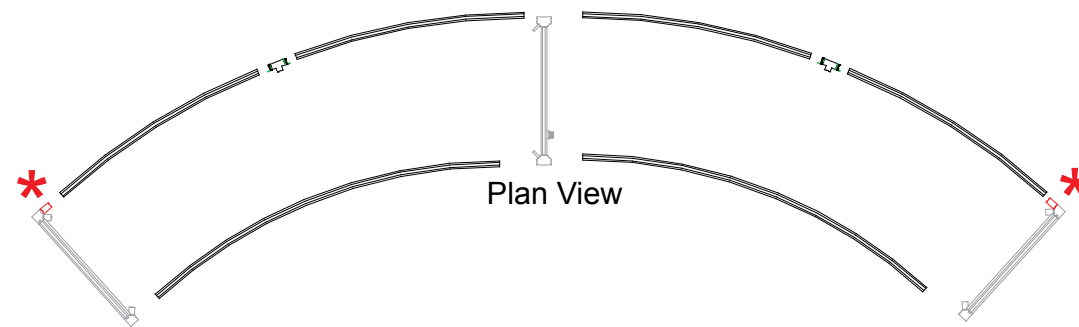


Item	Qty.	Description
32	2	79"h Vertical Extrusion
35	2	Curved Extrusion
36	4	Curved Extrusion

Steps:

- 1) Connect lower curved extrusions [36] between vertical assemblies and vertical extrusions [32].
- 2) Connect lower curved extrusions [35] between assemblies.
- 3) Connect Wire management verticals. Refer to *Wire Management Attachment* detail.

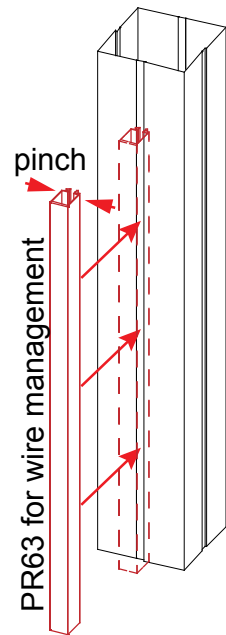
NOTE: Keep PR37 attached to [32] for packing. If removed, refer to detail to re-attach.



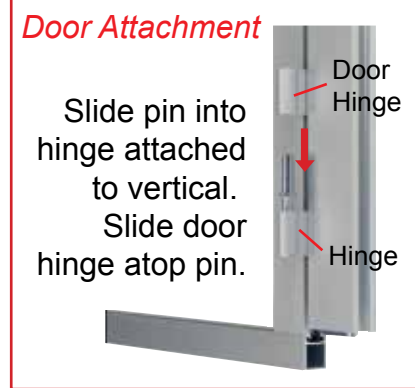
Wire Management Attachment *

Steps:

- 1) Run cords through plastic conduit.
- 2) Attach conduit where indicated by pinching the opening and inserting into the groove.

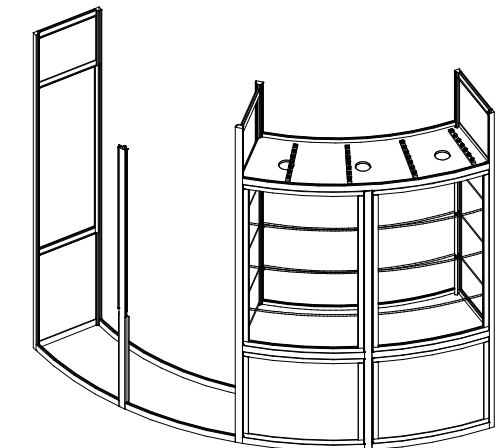


Item	Qty.	Description
		forstep
37	1	Curved Extrusion
38	2	Curved Extrusion
40	3	15.5"w Horizontal Extrusion
41	1	Curved Extrusion
42	1	Curved Extrusion



Steps:

- 1) Attach small white doors to front verticals on top of lower hinges. Refer to *Door Attachment* detail.
- 2) Insert infill graphic to between backside assembled verticals.
- 3) Connect curved extrusion [37] atop backinfill.
- 4) Connect front curved extrusions between verticals atop doors.
- 5) Place Shelf on top of curved extrusions [37] & [38].
- 6) Connect Horizontal [40] to vertical [32].
- 7) Insert clear infill between back verticals.
- 8) Attach doors as shown in *Door Attachment* detail.
- 9) Connect backside curved extrusion [42] between back verticals.
- 10) Connect front side curved extrusion [41] between front verticals.
- 11) Place ceiling on top of curved extrusions [41] & [42]



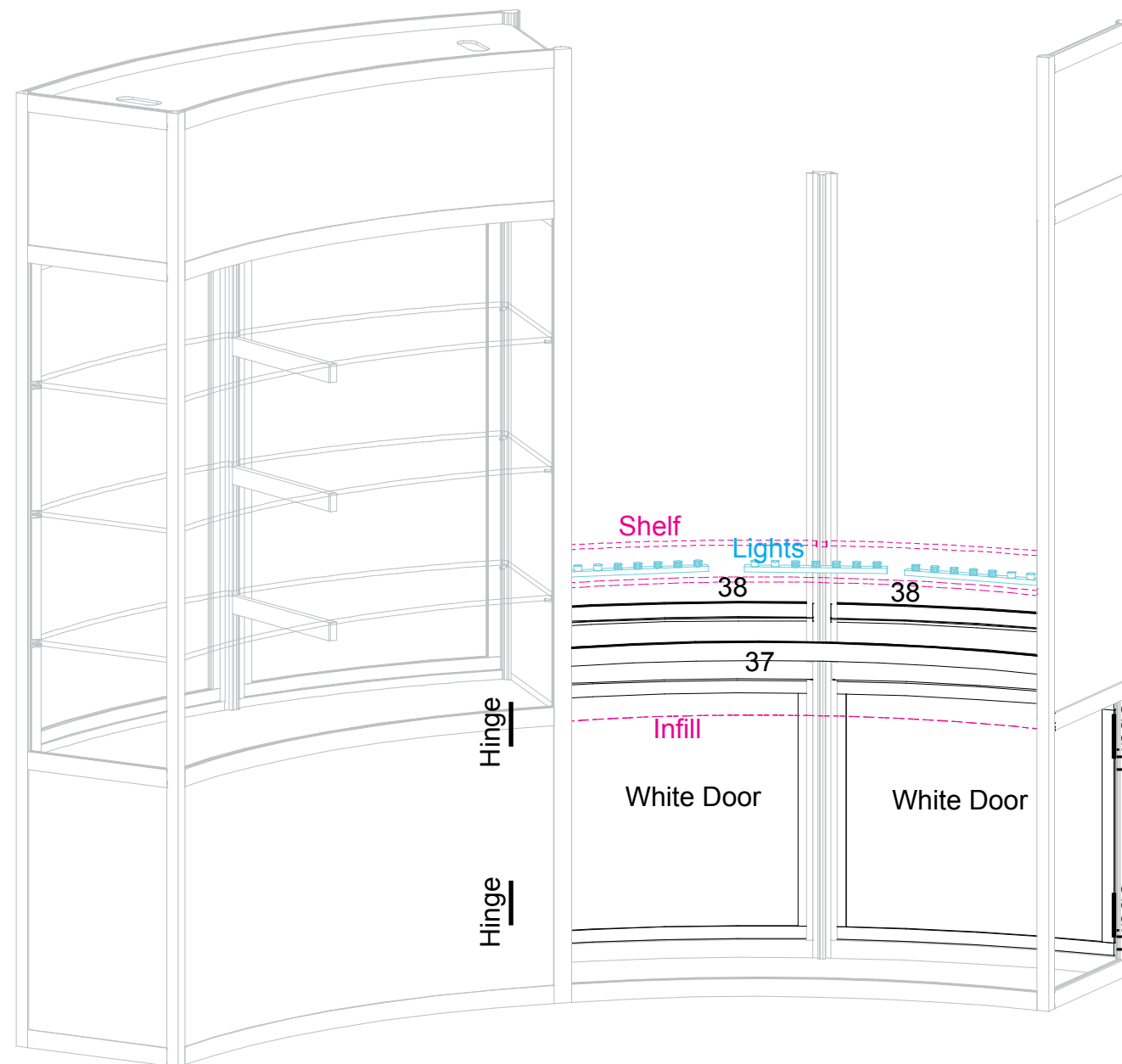
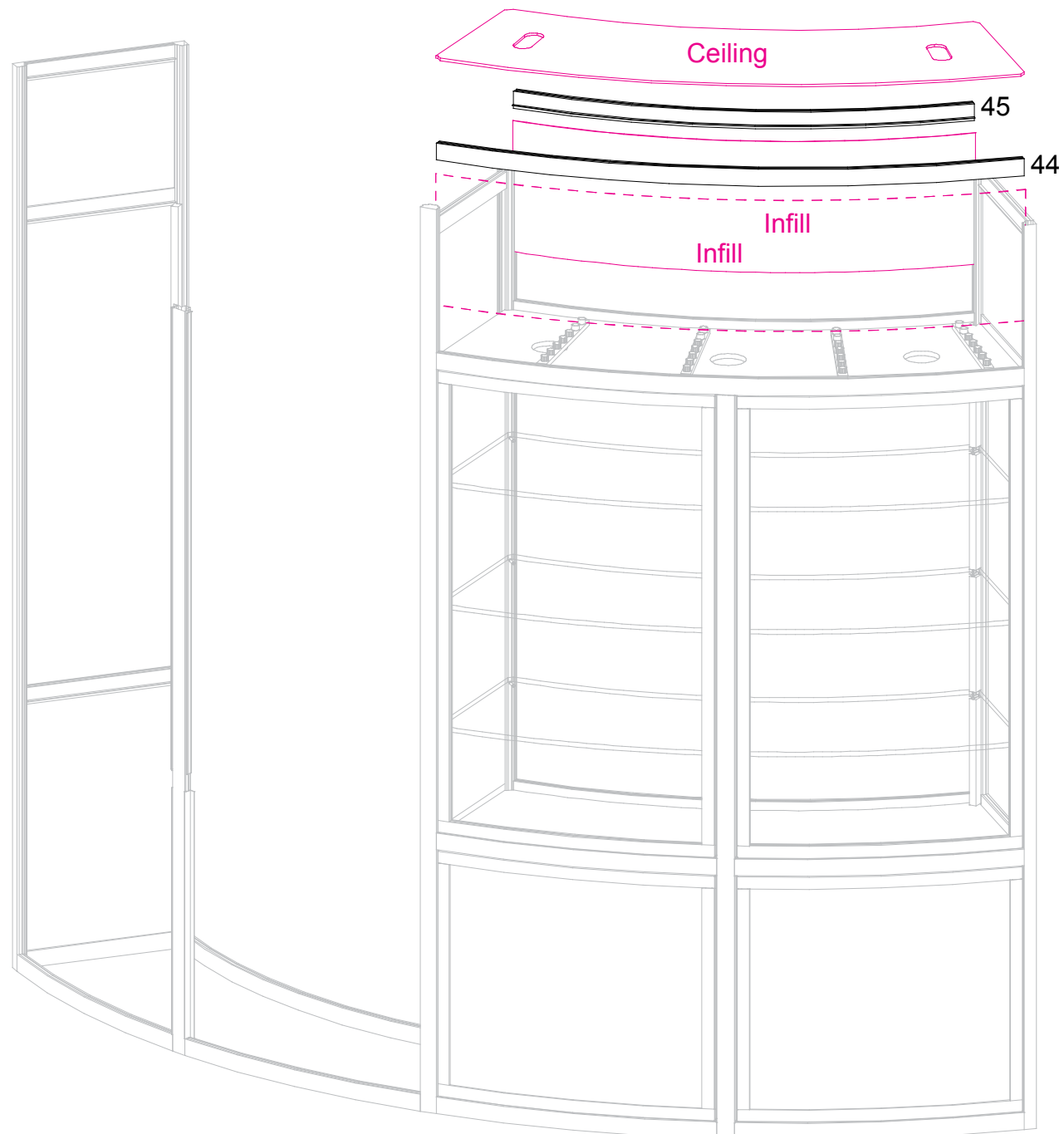
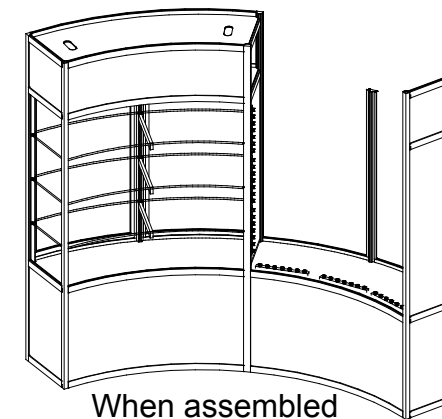
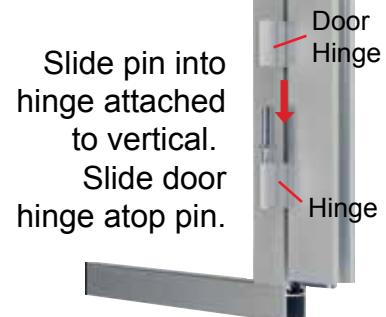
When assembled front view



Item	Qty.	Description
37	1	Curved Extrusion
38	2	Curved Extrusion
44	1	Curved Extrusion
45	1	Curved Extrusion

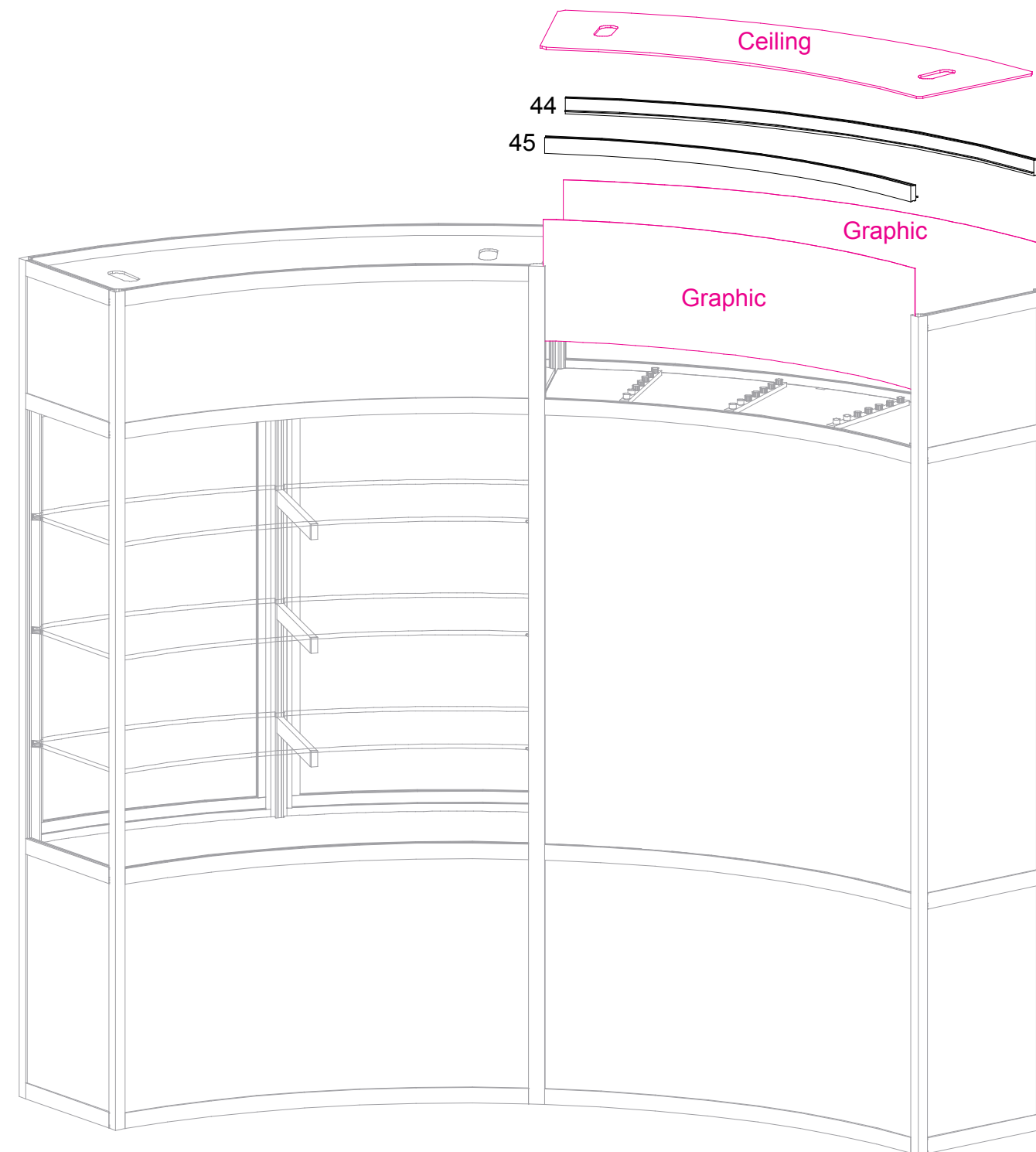
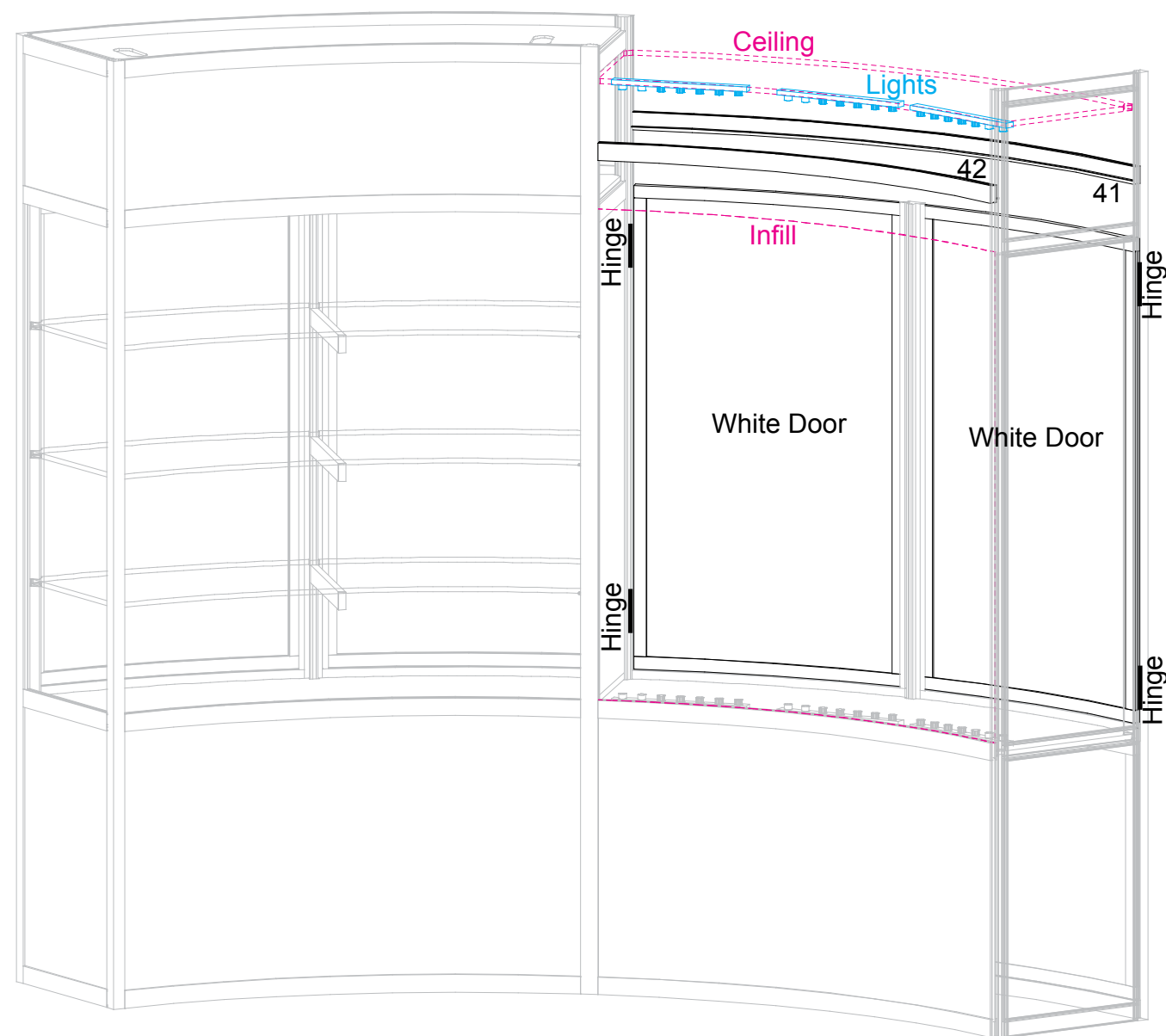
- Steps:
- 1) Insert Infills between front and back verticals.
 - 2) Connect curved extrusions [44] & [45] between verticals.
 - 3) Place ceiling on top of curved extrusions [44] & [45].
 - 4) Attach doors to hinges as shown in detail.
 - 5) Connect curved extrusions [37] & [38] between vertical assemblies.
 - 6) Place shelf on top of curved extrusion extrusions.

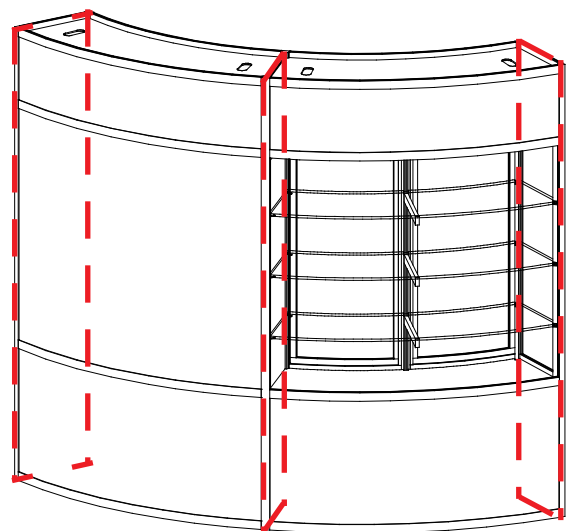
Door Attachment



Item	Qty.	Description
41	1	Front Curved Extrusion
42	1	Curved Extrusion
44	1	Front Curved Extrusion
45	1	Curved Extrusion

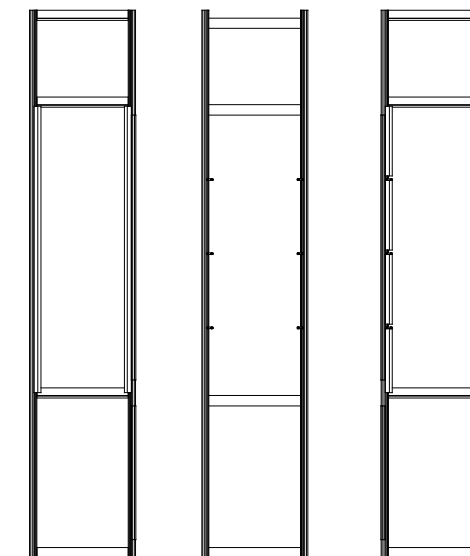
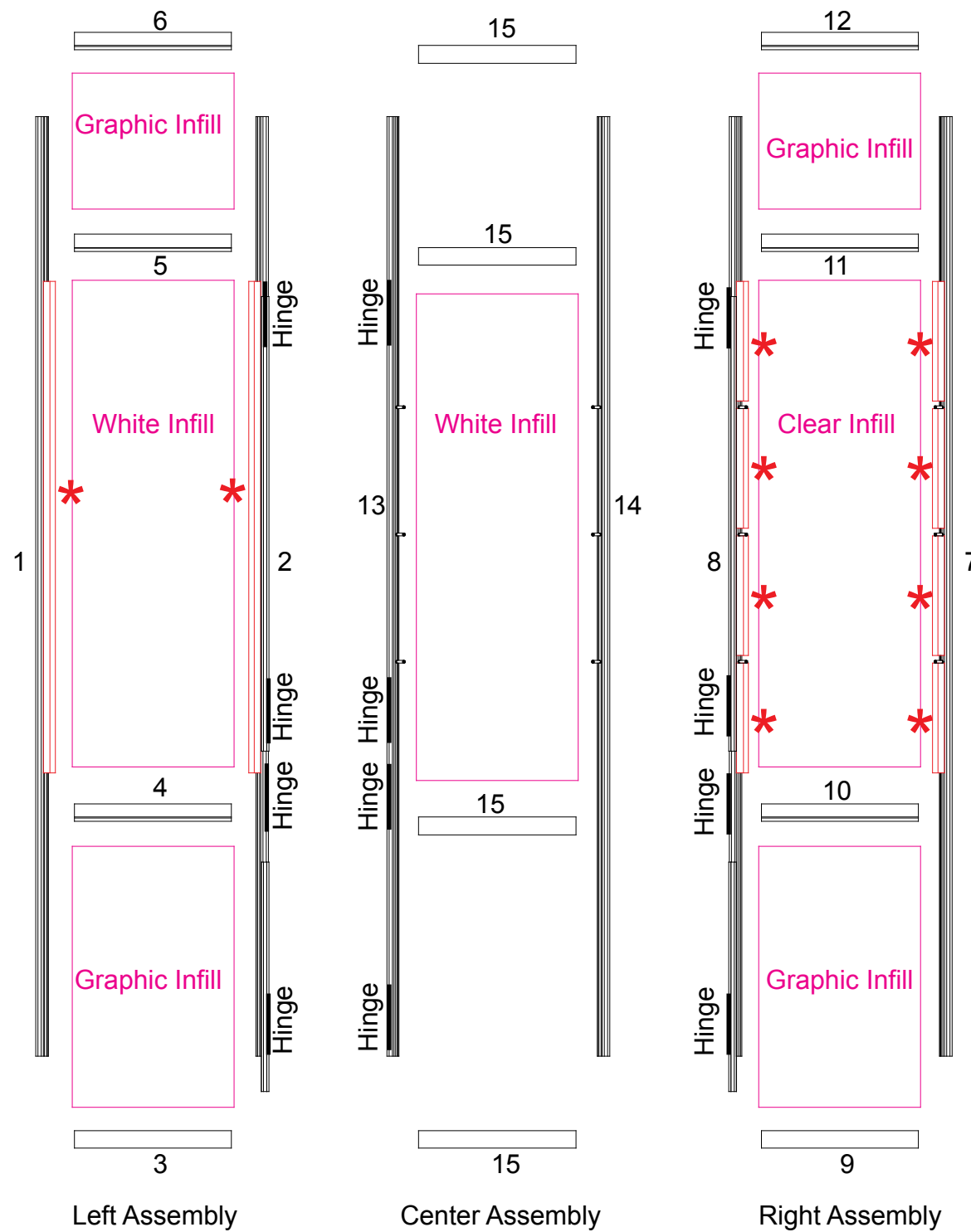
- Steps:
- 1) Attach front doors as shown in detail.
 - 2) Insert large back infill between center and side assembled verticals.
 - 3) Connect front and back curved extrusions [41] & [42].
 - 4) Place ceiling with lights on top of [41] & [42].
 - 5) Insert small white graphic infills between center and side assembled verticals.
 - 6) Connect front and back curved extrusions [44] & [45] between center and side vertical assemblies.
 - 7) Place Ceiling atop top curved extrusions.





Item	Qty.	Description
1	1	96" h Vertical Extrusion
2	1	96" h Vertical Extrusion
3-6	1 ea.	16" w Horizontal Extrusion
7	1	96" h Vertical Extrusion
8	1	96" h Vertical Extrusion
9-12	1 ea.	16" w Horizontal Extrusion

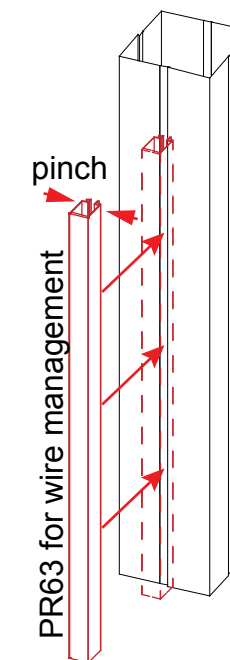
- Steps:
- 1) Connect horizontal extrusions between verticals
Placing Infills between each vertical where indicated.
 - 2) Attach verticals *Wire Management Attachment* where indicated.



When assembled

Wire Management Attachment *

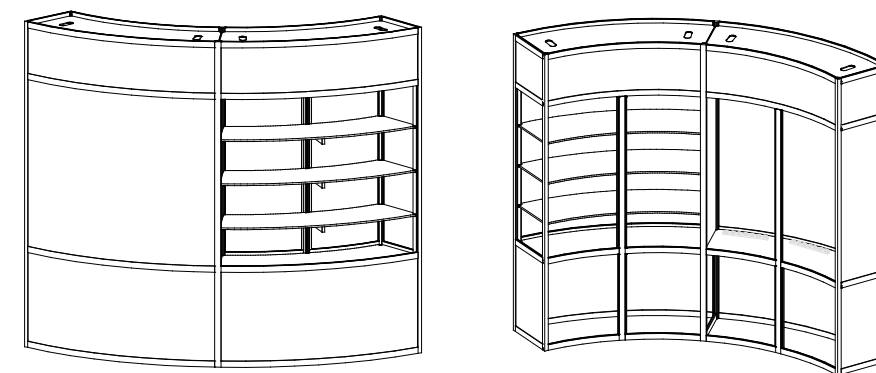
- Steps:
- 1) Run cords through plastic conduit.
 - 2) Attach conduit where indicated by pinching the opening and inserting into the groove.



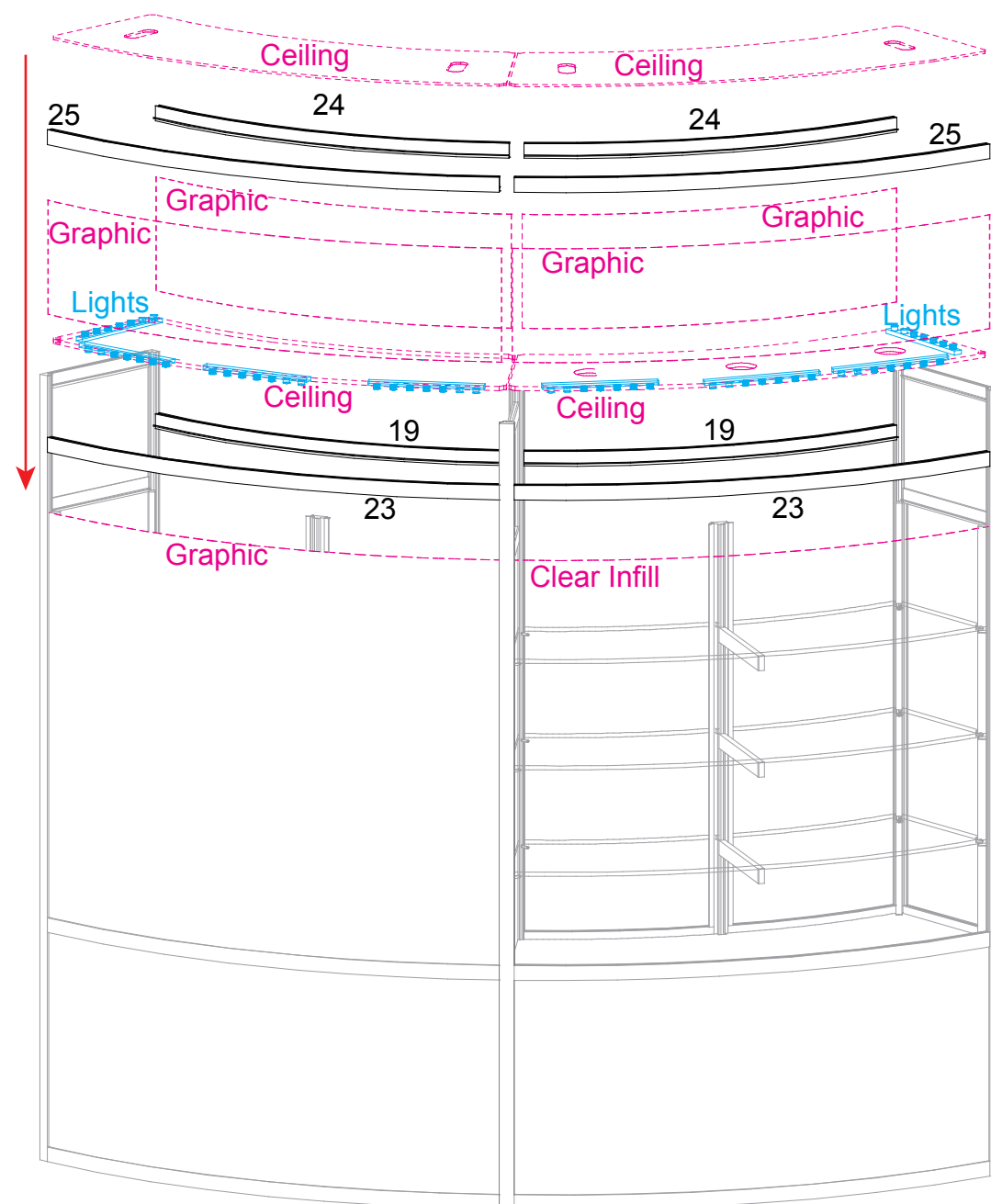
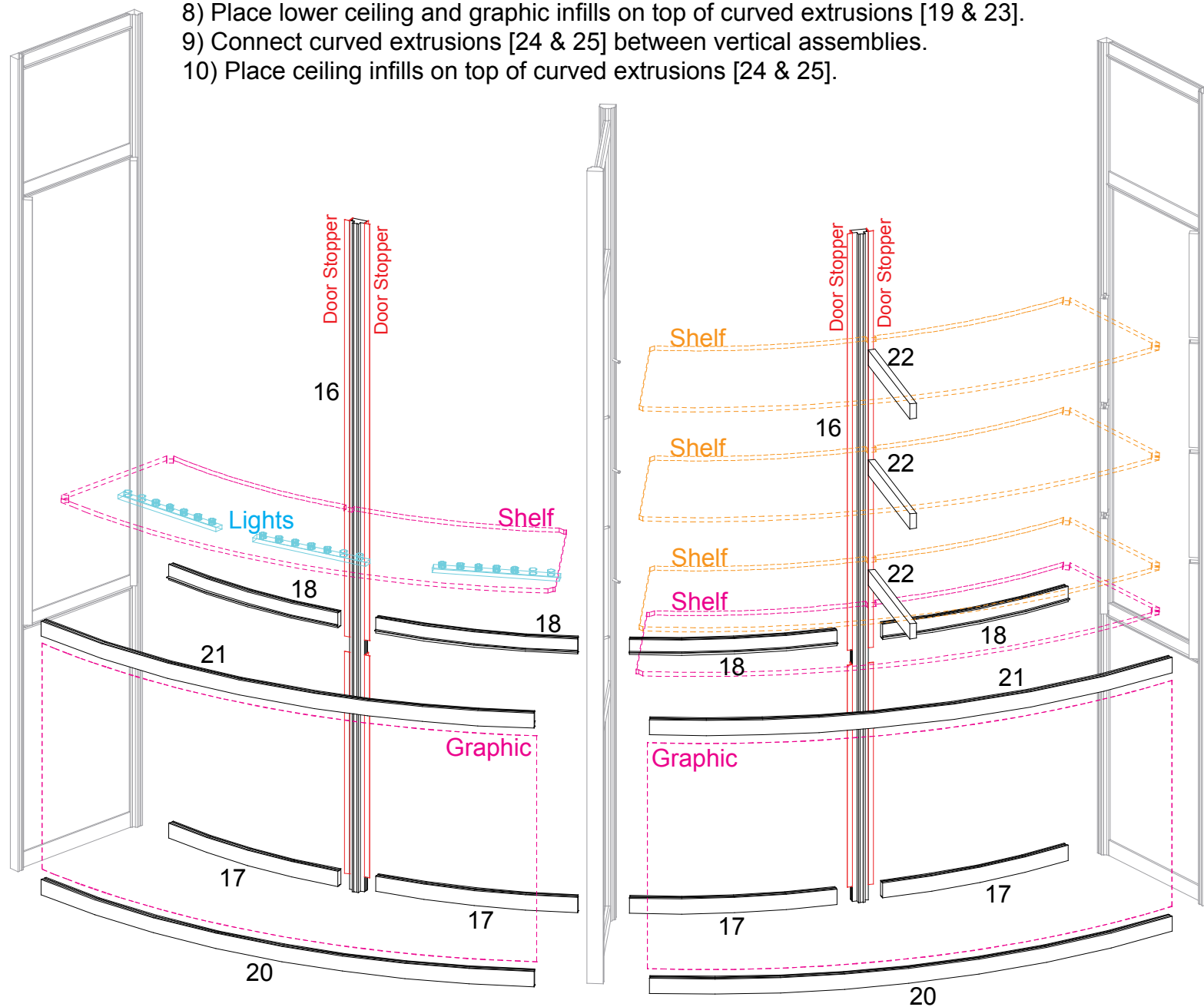
Steps:

- 1) Connect curved extrusions [17 & 18] between vertical assemblies and vertical [16].
- 2) Connect curved extrusions [20 & 21] (w/ graphic infill between) to vertical assemblies.
- 3) Place Shelf with lights on top of left side curved extrusions [18 & 21] and shelf w/out lights on the right.
- 4) Connect horizontals [22] to vertical [16].
- 5) Place Shelves atop horizontal extrusions [22].
- 6) Insert Large infills between assembled verticals (Clear Infill on the right).
- 7) Connect curved extrusions [19 & 23] between assembled verticals.
- 8) Place lower ceiling and graphic infills on top of curved extrusions [19 & 23].
- 9) Connect curved extrusions [24 & 25] between vertical assemblies.
- 10) Place ceiling infills on top of curved extrusions [24 & 25].

Item	Qty.	Description
16	2	79"h Vertical Extrusion
17	4	Curved Extrusion
18	4	Curved Extrusion
19	2	Curved Extrusion
20	2	Curved Extrusion
21	2	Curved Extrusion
22	3	15.5"w Horizontal Extrusion
23	2	Curved Extrusion
24	2	Curved Extrusion
25	2	Curved Extrusion

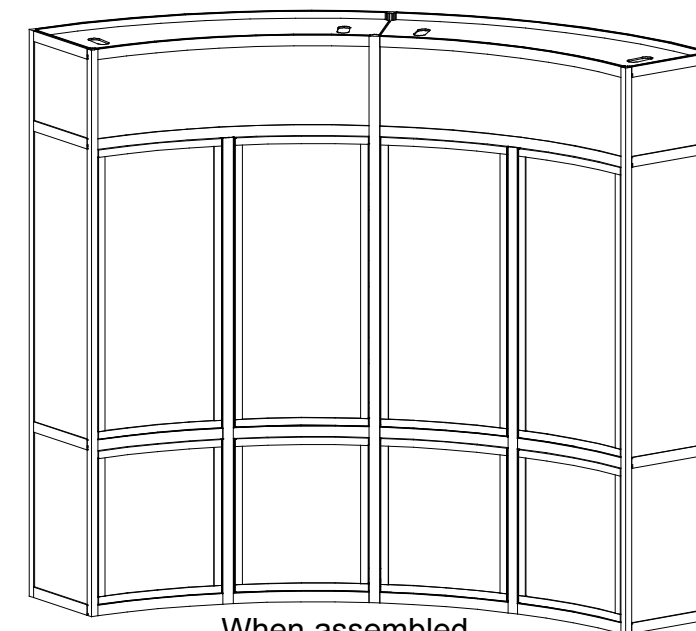
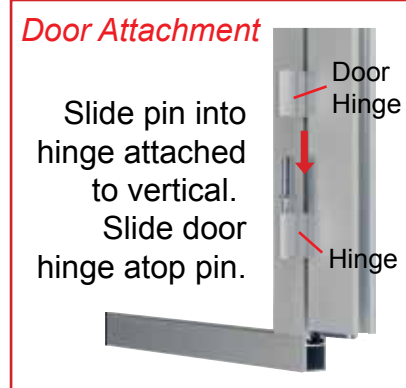


Front and back when assembled

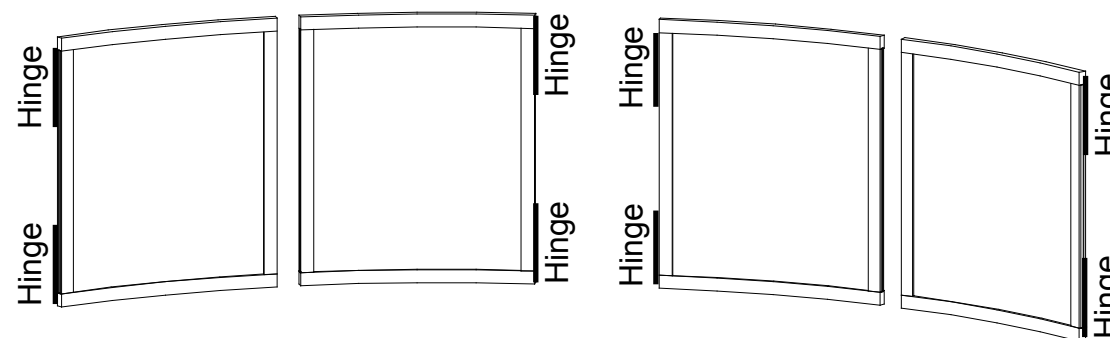
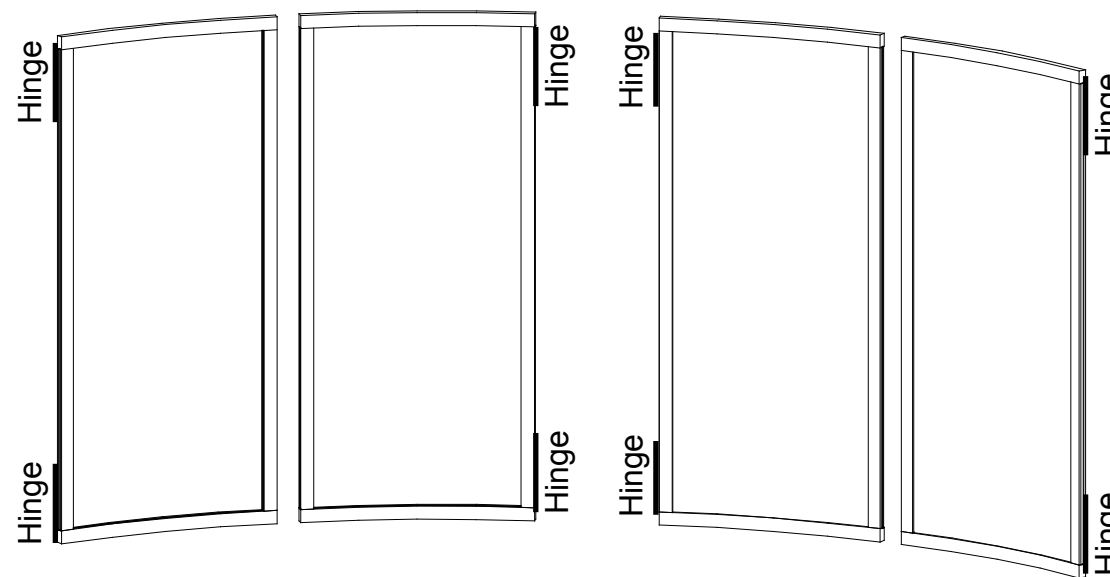
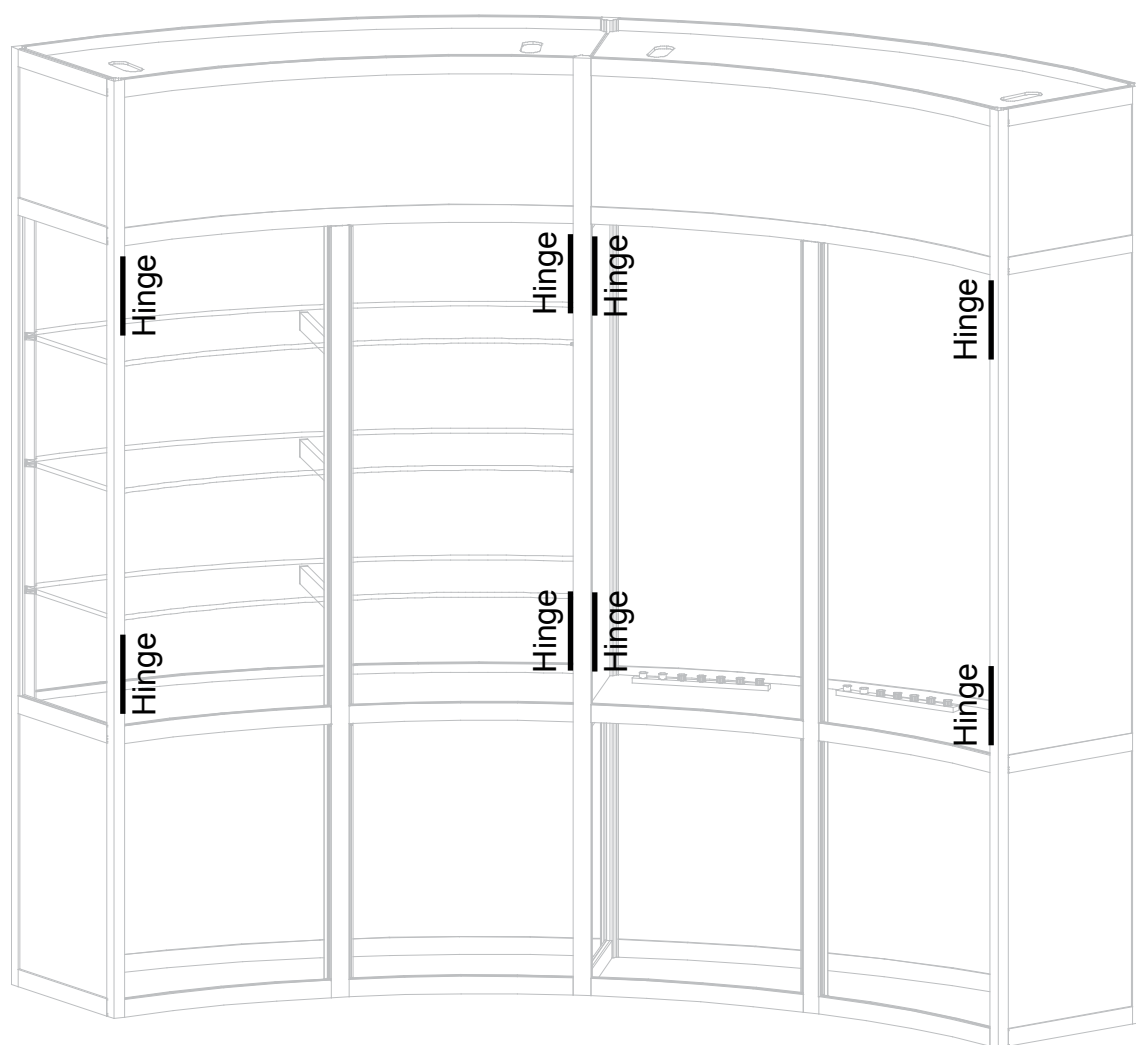


Steps:

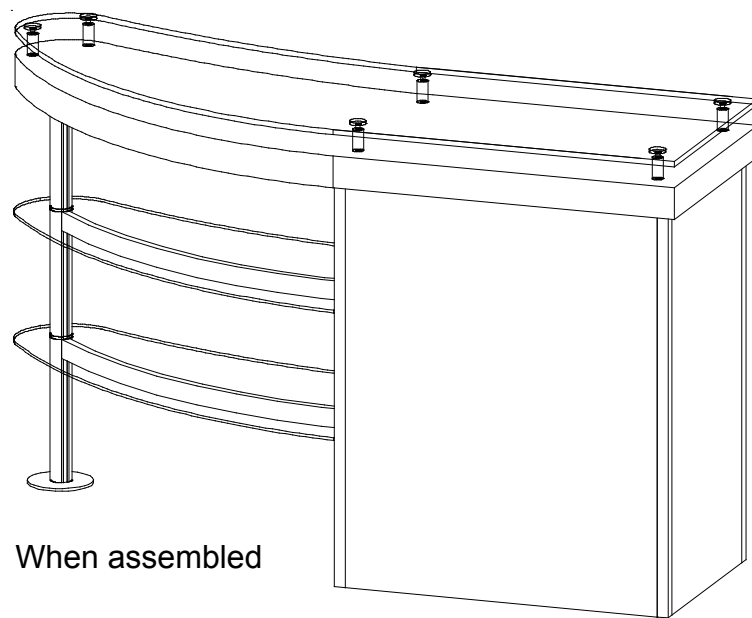
- 1) Attach lower and upper doors to verticals as shown.
Refer to *Door Attachment* detail



When assembled

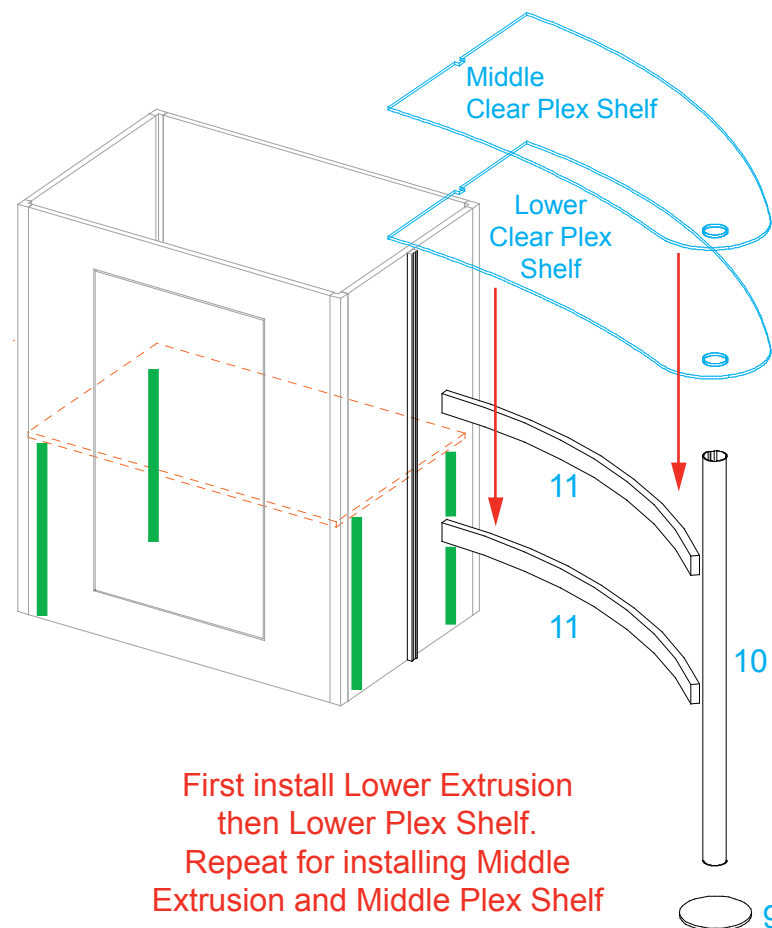
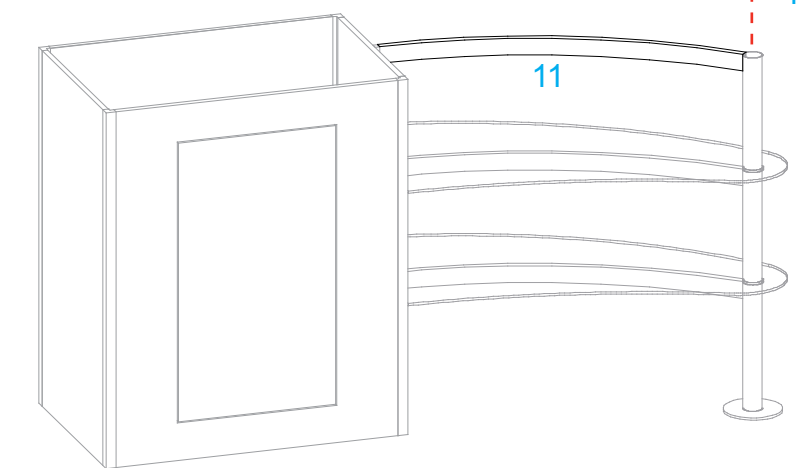
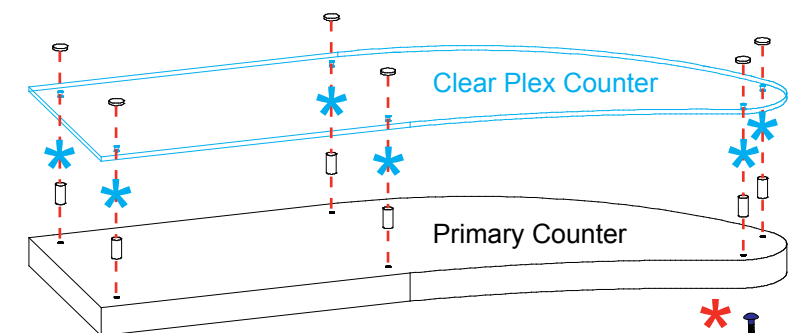
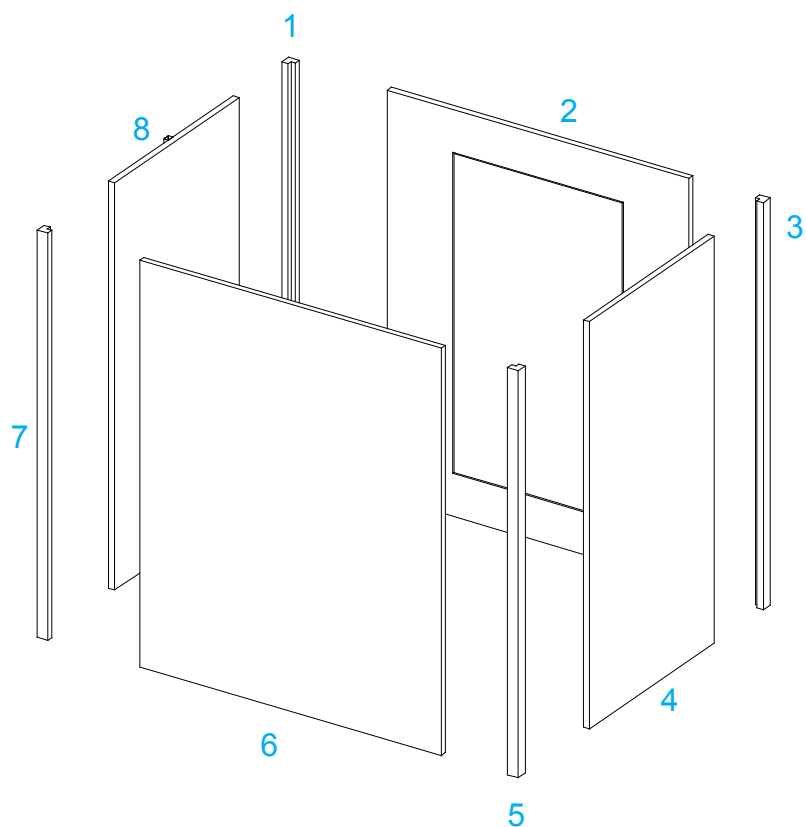


Item	Qty.	Description
1	1	23"w x 38"h Flat Panel
2	1	23"w x 38"h Flat Panel
3	1	38"h Quarter Curved Panel
4	1	38"h Quarter Curved Panel
5	1	23"w x 38"h Flat Panel w/ Door
6	1	23"w x 38"h Flat Panel w/ Door
7	1	38"h Quarter Curved Panel
8	1	38"h Quarter Curved Panel
9	1	Round Base Plate
10	1	37.75"h Round Vertical Extrusion
11	3	38.1728" Curved Horizontal Extrusion
12	1	Flange Plate



Steps:

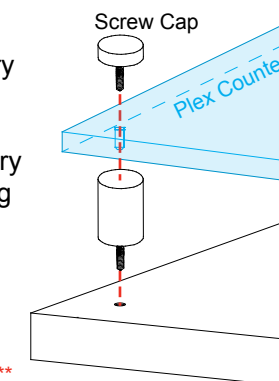
- 1) Connect panels together in numerical order as shown in illustrations.
- 2) Attach base plate [9] to vertical [10].
- 3) Attach lower curved support [11] between vertical and assembled base; place lower plex shelf on horizontal [11].
- 4) Repeat step [3]; attach upper horizontal [11].
- 5) Attach flange plate [12] on top of vertical [10] as shown.
- 6) Attach shelf supports to inside of assembled pedestal; place internal shelf on supports.
- 7) Set counter top on top of assembled pedestal.
Refer to *Counter Top Attachment* detail.
- 8) Attach plex top with stand-offs and caps as shown.
Refer to *Plex Shelf to Counter Attachment* detail.



First install Lower Extrusion then Lower Plex Shelf.
Repeat for installing Middle Extrusion and Middle Plex Shelf

* Plex Counter Attachment

Attach stand-off barrels to primary counter top.
Connect plex counter to primary counter top using screw caps.



****DO NOT OVER TIGHTEN. PLEX WILL CRACK****

* Counter Top Attachment

Insert screws located on underside of counter into holes on flange plate and secure with wing nuts.

