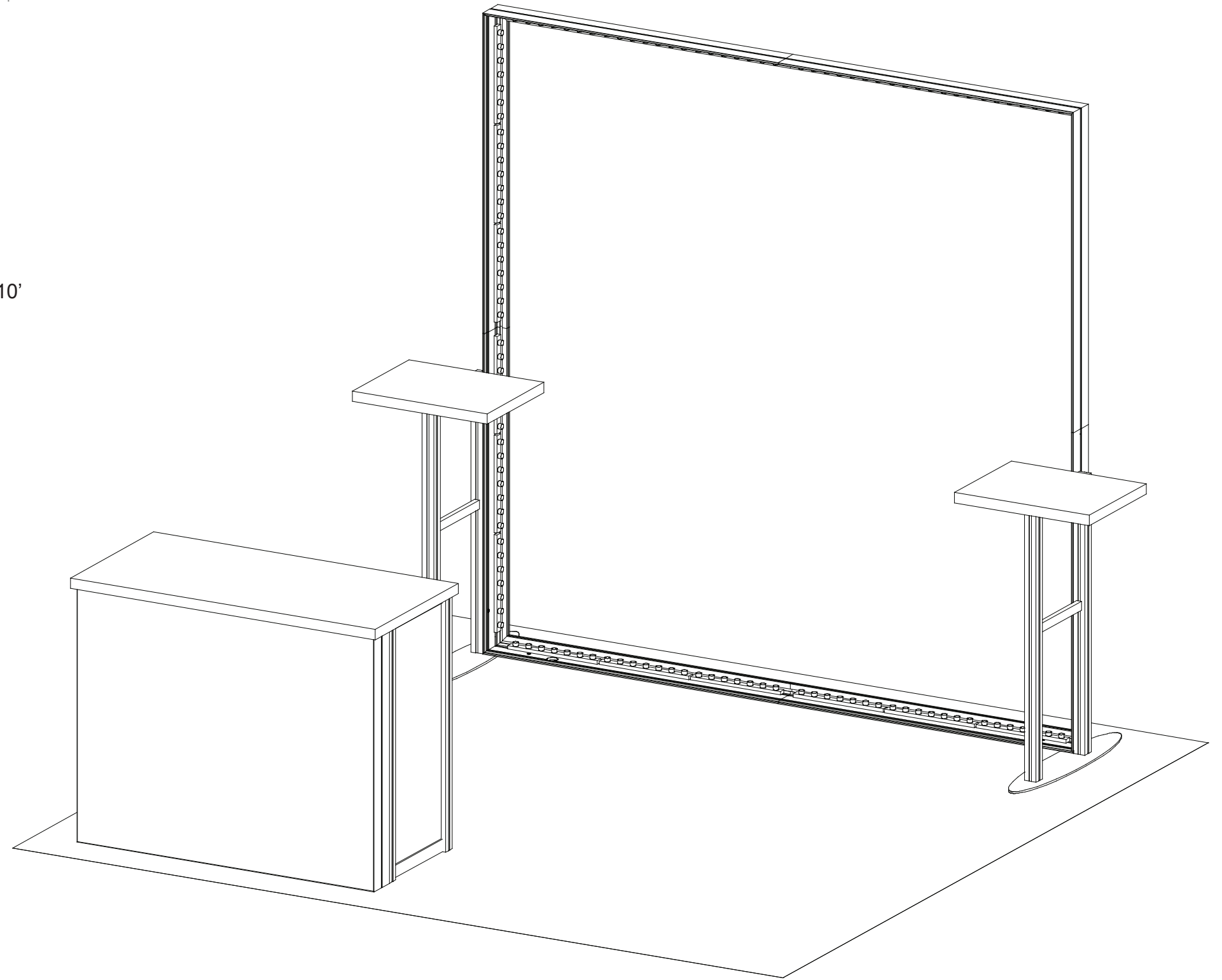


Plan View



## General Setup Instructions

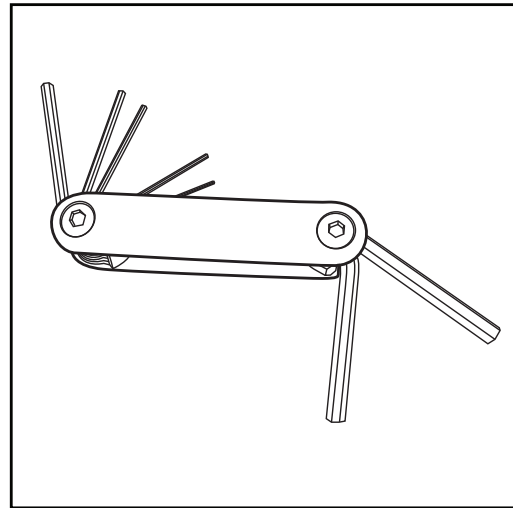
- Read entire setup instruction manual prior to unpacking parts and pieces.
- The setup instructions are created specifically for this configuration.
- Setup instructions are laid out sequentially in steps, including exploded views with detailed explanation for assembly.

## Cleaning & Packing

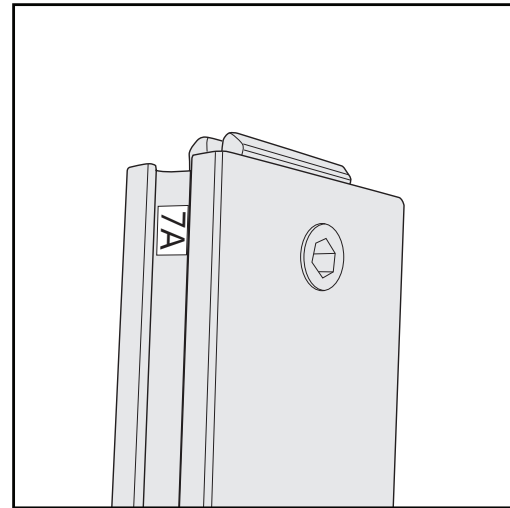
- For Cleaning Metal, Plex, & Laminate Parts: Use a **MILD NON-ABRASIVE** cleanser and soft cloth/paper towel to clean all surfaces.
- Keep exhibit components away from heat and prolonged sun exposure.  
**Heat and UV exposure will warp and fade components.**
- Retain all provided Packing Materials. All provided packing materials are for ease of repacking & component protection.

## Disassembly

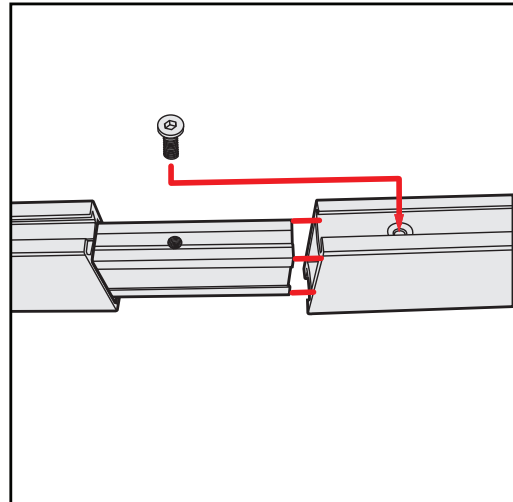
- For loss prevention, tighten all setscrews and locks during disassembly



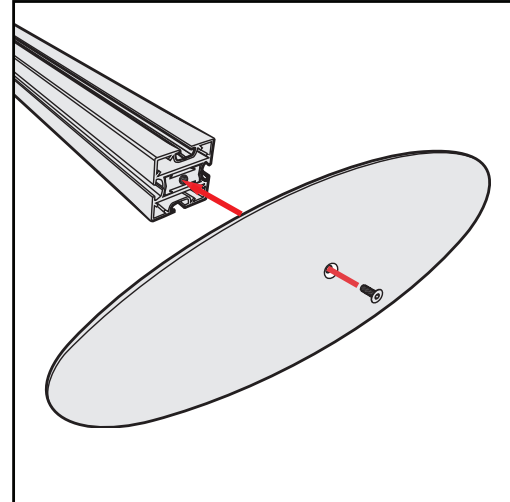
Hex Tool - Essential for Assembly



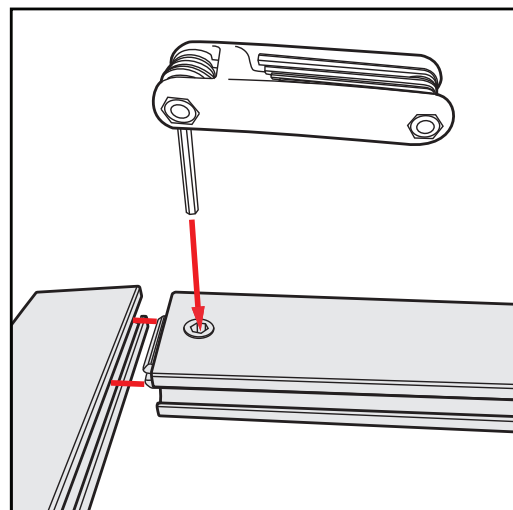
Part Identification - Numbering



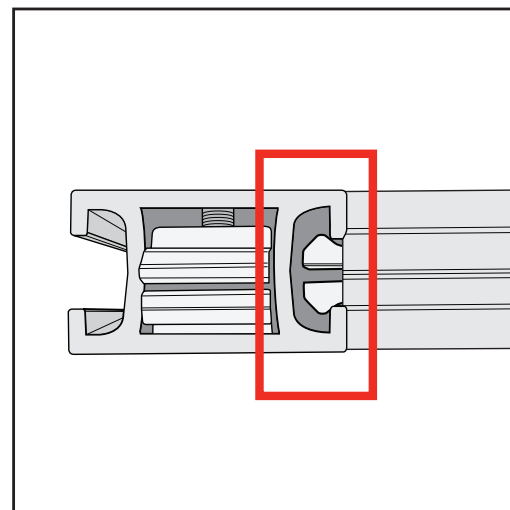
Spline Connection



Base Plate & Extrusion Connection



Extrusion & Lock Connection



Engaged Lock



**WARNING**



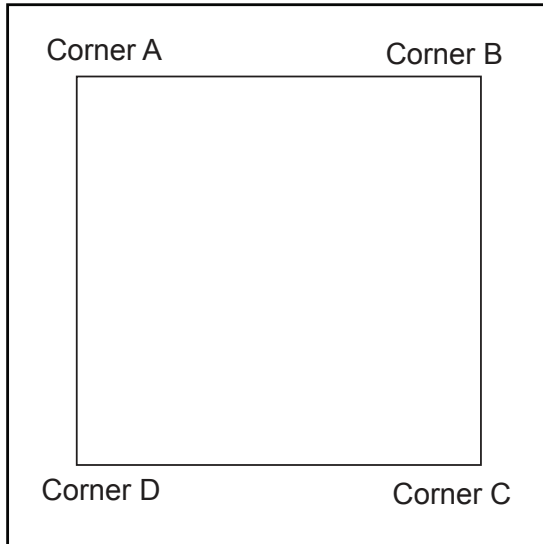
DO NOT USE POWER TOOLS



LADDERS OR LIFTS  
MAY BE REQUIRED



ALL CONNECTIONS MUST  
BE TIGHTLY SECURED



It is important to first insert graphic into each alternate corner then to the sides of the frame. If this is not done, graphic will not fit into the frame correctly.

**Step 1**

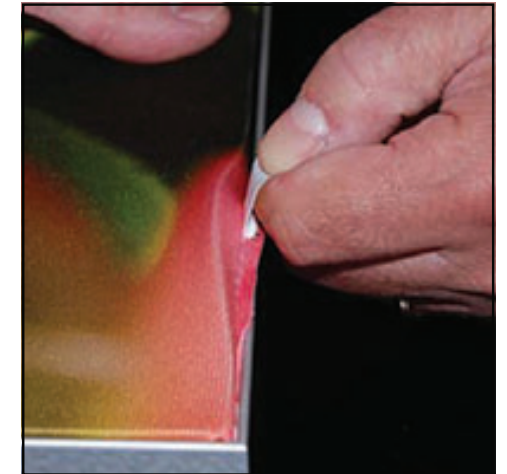
Insert corner A. Turn edge of graphic so silicon welt is perpendicular to face of graphic. Insert narrow side of welt with fabric to outside into the channel. Repeat for other side of this corner.

**Step 2**

Repeat Step 1 for opposite corner C, then insert corner B, followed by corner D, to complete the installation of the corners.

**Step 3**

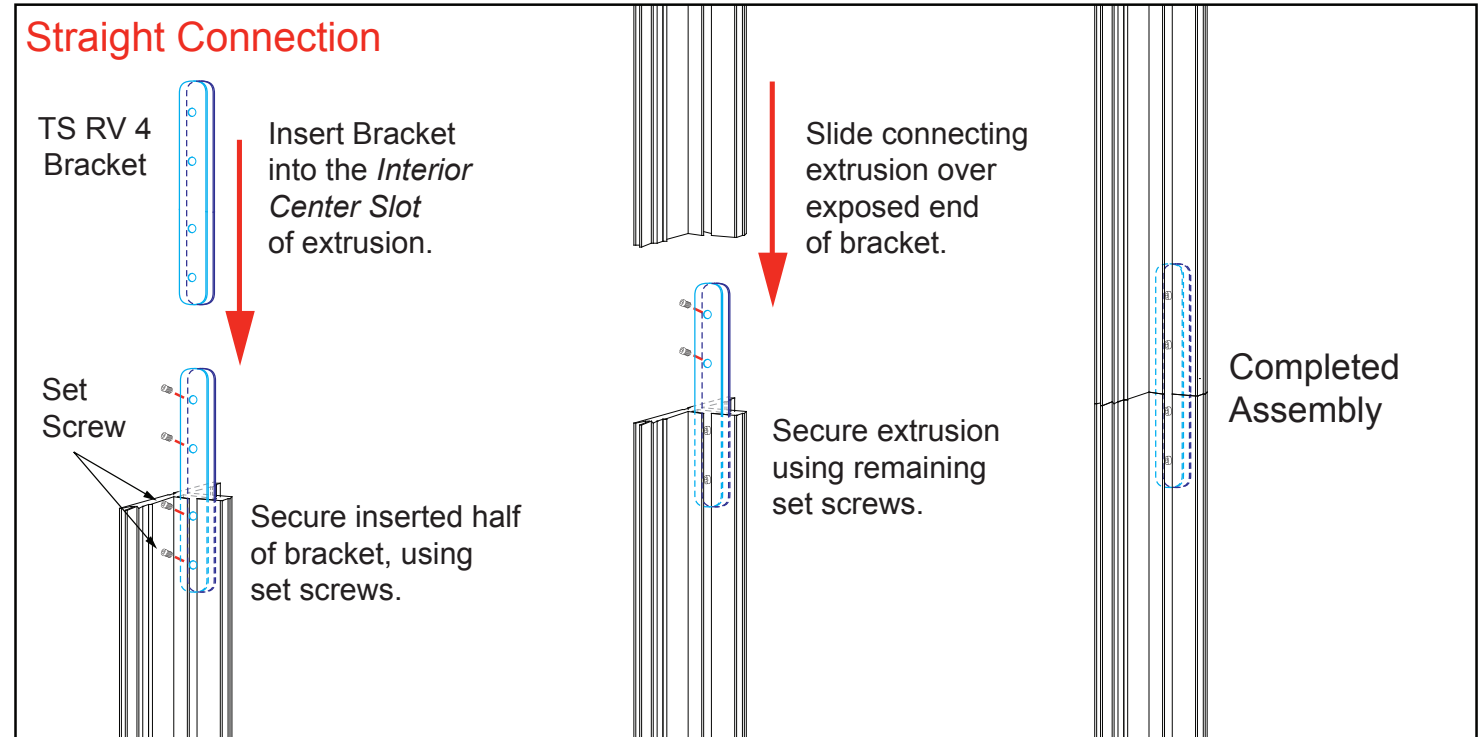
Once all corners are inserted, press one silicon edge into channel from corners and work toward the center. Make sure welt is fully inserted into channel. Continue until all sides are done. Smooth out edges of graphic.

**Graphic Removal**

To remove the graphic from the frame, locate the fabric pull tab. Gently pull up on the tab to remove the fabric.

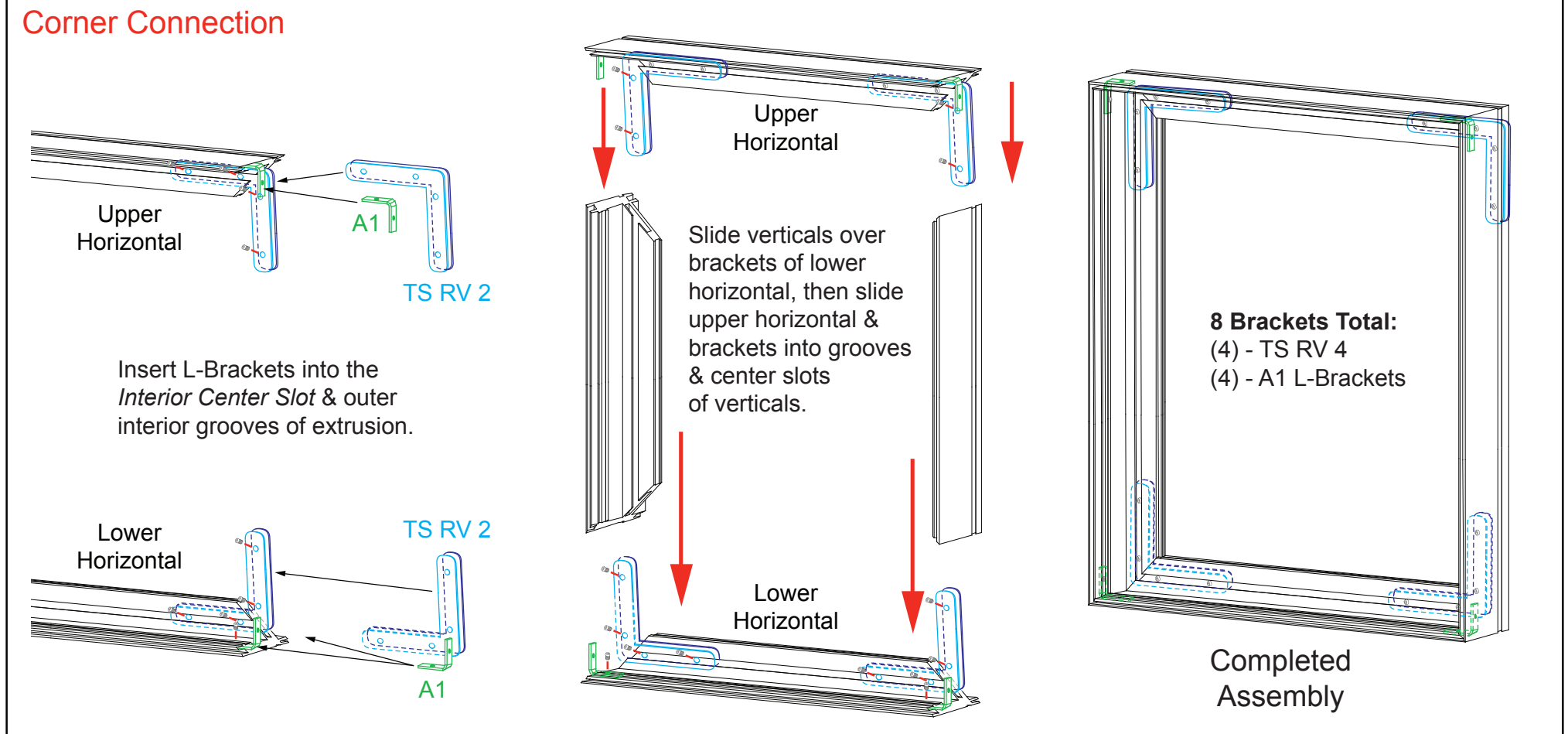
## Straight Bracket Installation (when required)

- 1) Slide TWO-PIECE **TS RV 4** straight bracket into Interior Center Slot of extrusion so that two of the set screws are inside groove. Tighten two set screws to secure.
- 2) Slide connecting extrusion over exposed end of bracket. Tighten two remaining set screws to secure.



## Corner Bracket Installation

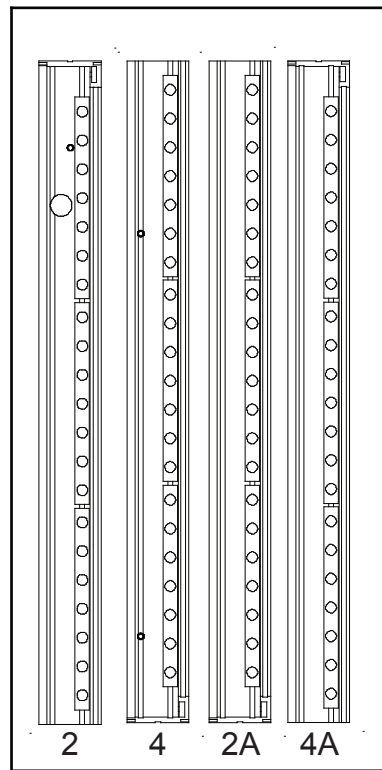
- 1) Slide TWO-PIECE **TS RV 2** L-bracket into Interior Center Slot of extrusion so that two set screws are inside groove. Tighten two set screws to secure.
- 2) Slide one A1 L-Bracket into outer interior grooves of upper and lower horizontals. Tighten set screws to secure.
- 3) Slide vertical extrusion over exposed ends of brackets in lower horizontal. Tighten set screws to secure.
- 4) Slide exposed ends of installed brackets of upper horizontal into open ends of verticals. Tighten set screws to secure.



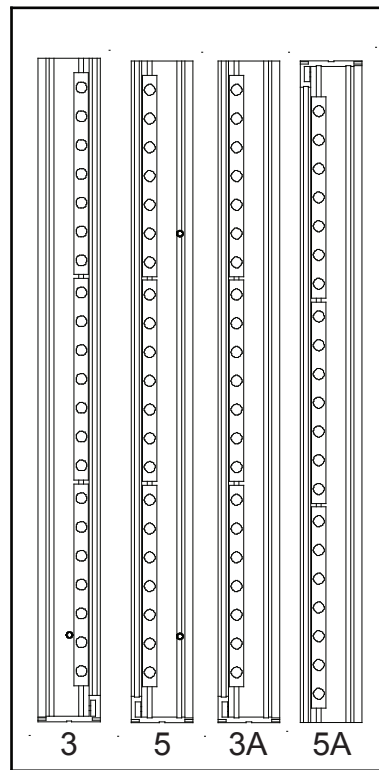
## Disassembly

- 1) Loosen set screws on brackets, then slide extrusions off of brackets.

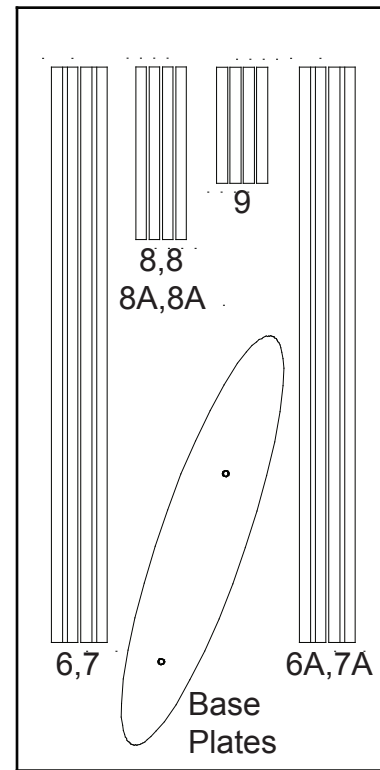
### Top View of Each Level



Level 1



Level 2

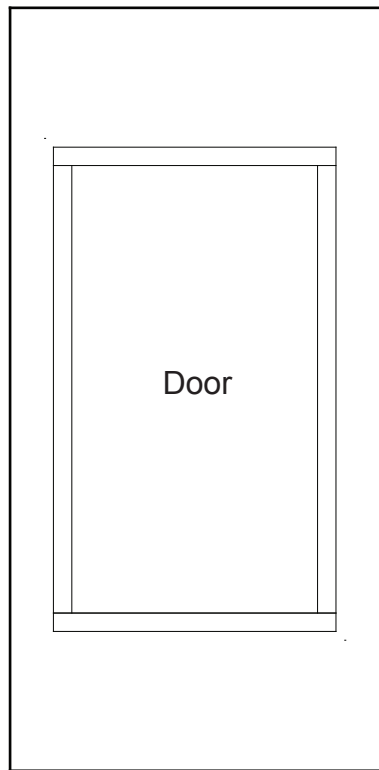


Level 3

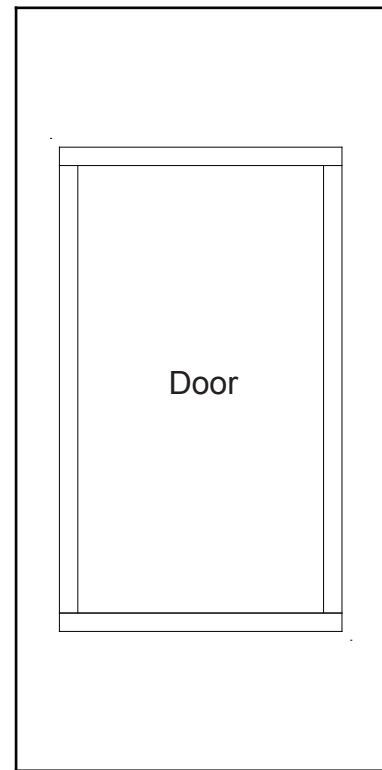
Graphic

Setup Hardware

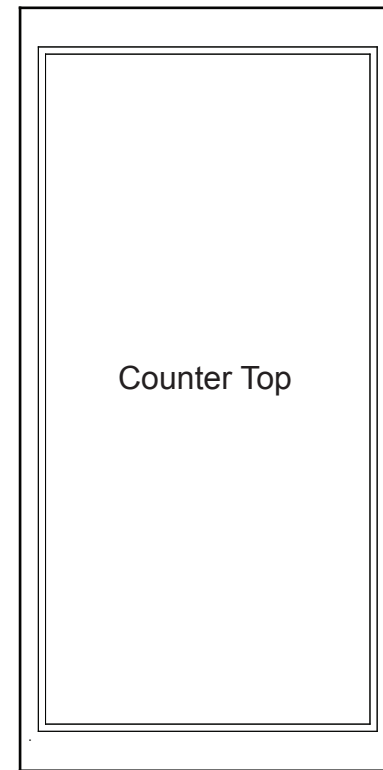
### Top View of Each Level



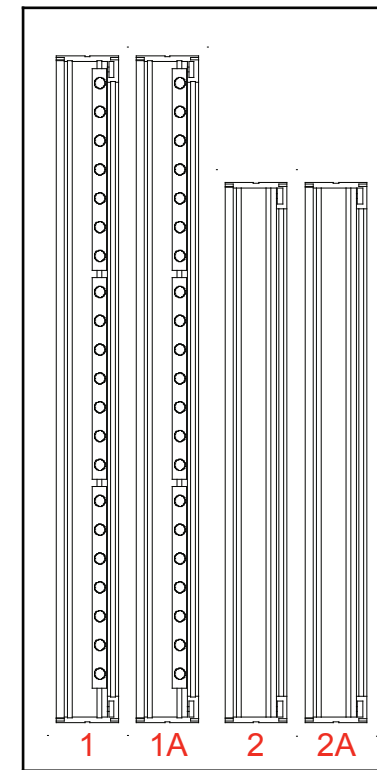
Level 1



Level 2



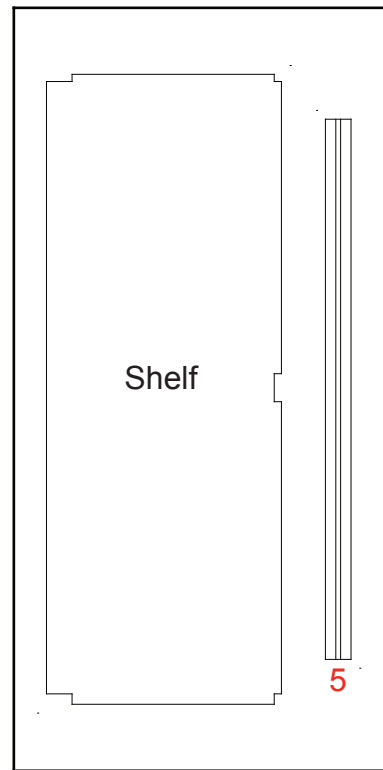
Level 3



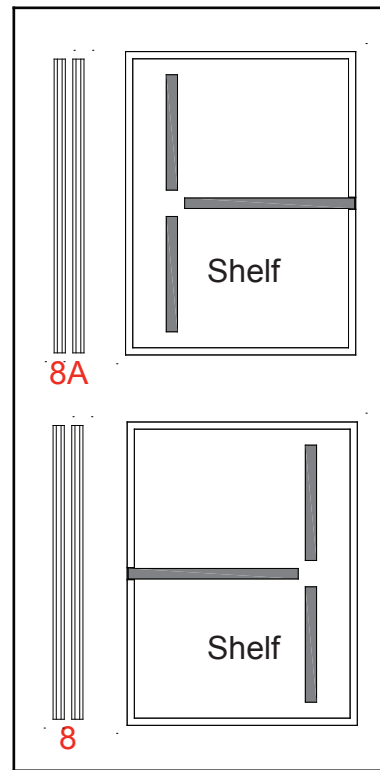
Level 4



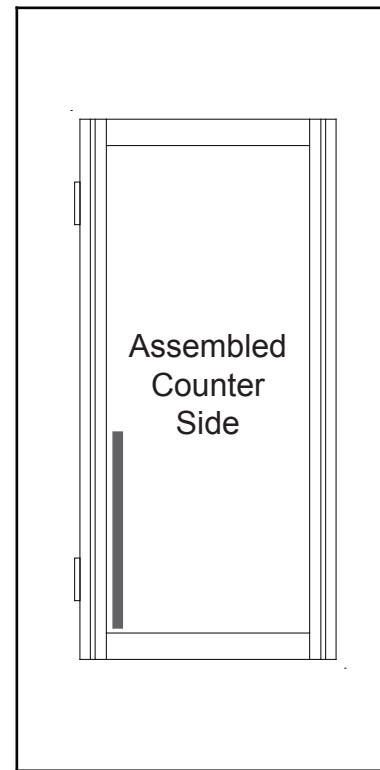
### Top View of Each Level



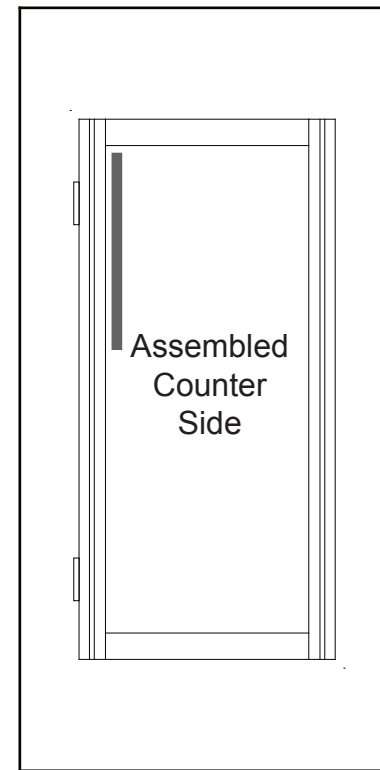
Level 1



Level 2



Level 3

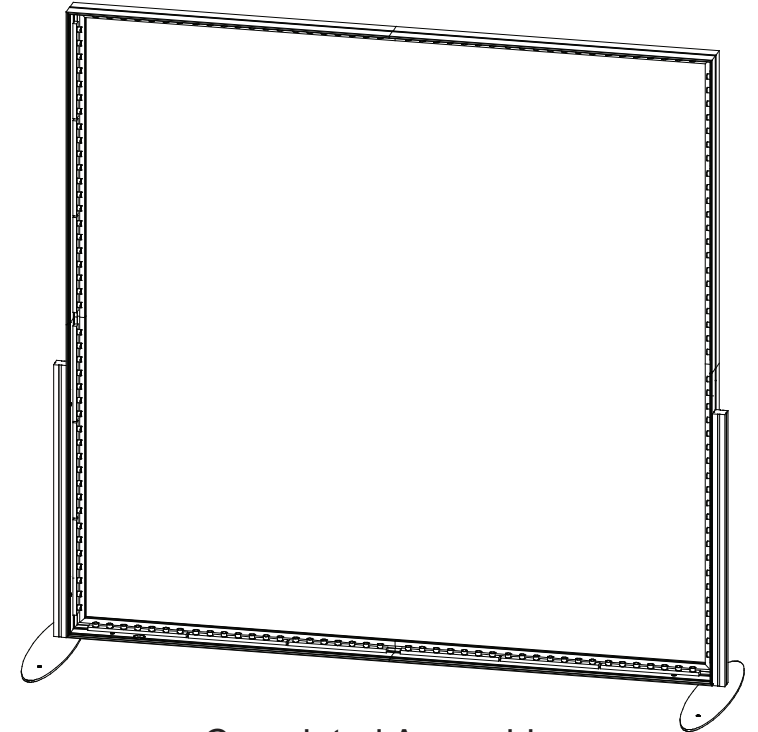


Level 4

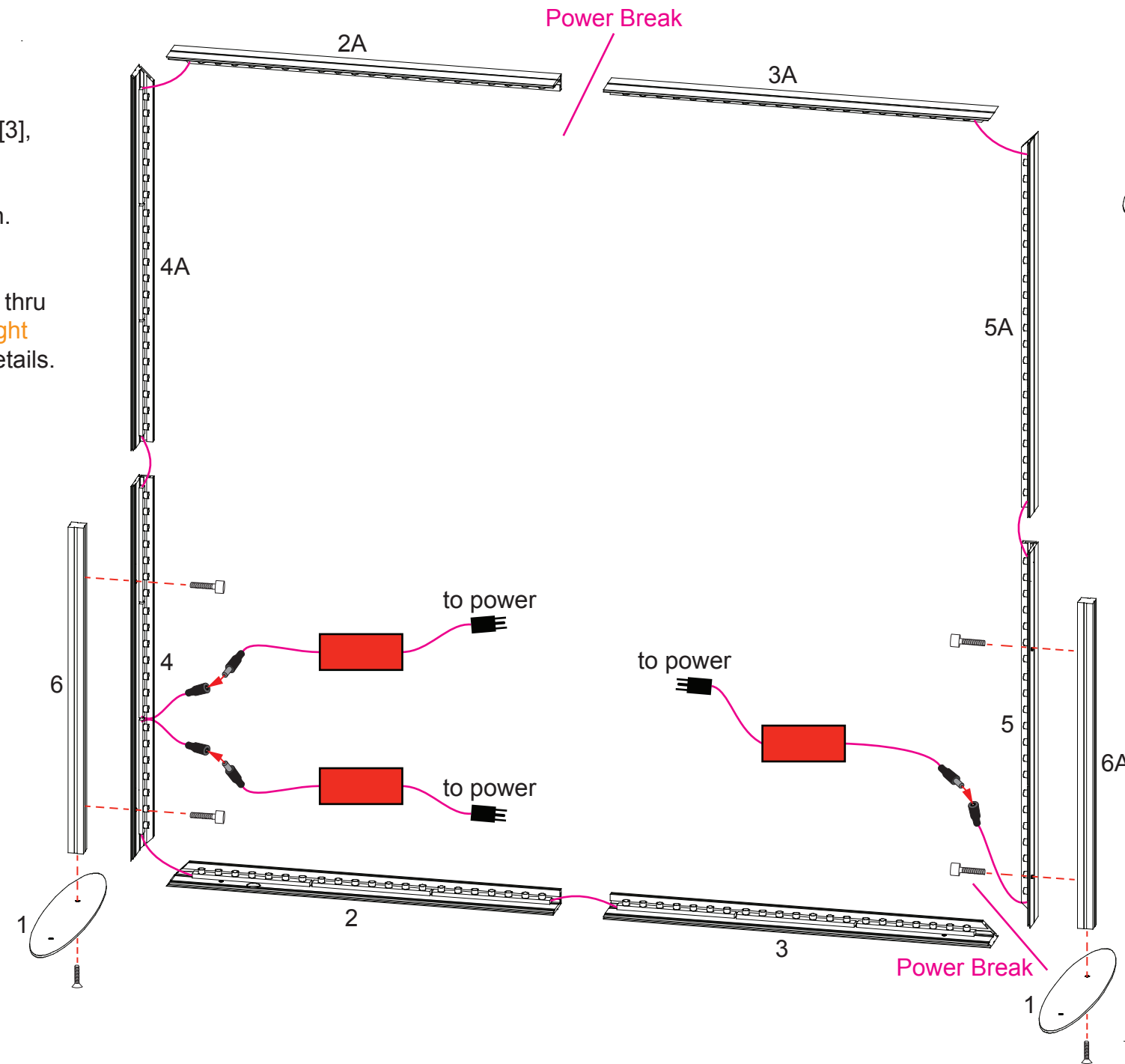
Item	Qty.	Description
1	2	Base Plate
2/2A	1/1	46" CEI-110 Horizontal Extrusion
3/3A	1/1	46" CEI-110 Horizontal Extrusion
4/4A	1/1	46" CEI-110 Horizontal Extrusion
5/5A	1/1	46" CEI-110 Horizontal Extrusion
6/6A	1/1	40" S44 Vertical Extrusion

Steps:

- 1) Attach base plates [1] to vertical extrusions [2] and [3], using bolts.
- 2) Assemble CEI-110 extrusions [2 thru 5A] as shown. See CEI-110 Frames Assembly sheet for instruction.
- 3) Attach vertical extrusions [6] to [4] and [6A] to [5], using bolts.
- 4) Connect Lights and Transformers, then route cords thru horizontal [2] and connect to power. See [Light to Light Connection](#) and [Light to Transformer Connection](#) details.
- 5) Install SEG graphic to front and blocker fabric to back of assembled Backwall.

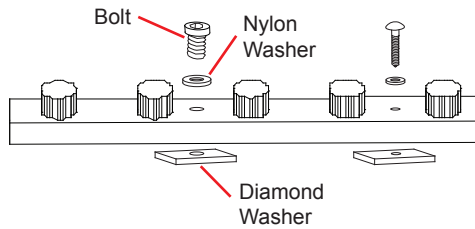


Completed Assembly

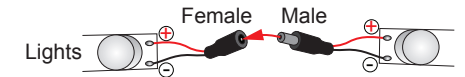


**Lighting Instalation Warning**

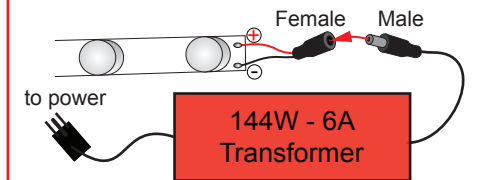
If utilizing your own hardware, purchase **Nylon Washers** to prevent metal screw heads from damaging the circuit board. Attach no more than **seven** lights per chain.



**Light to Light Connection**



**Light to Transformer Connection**

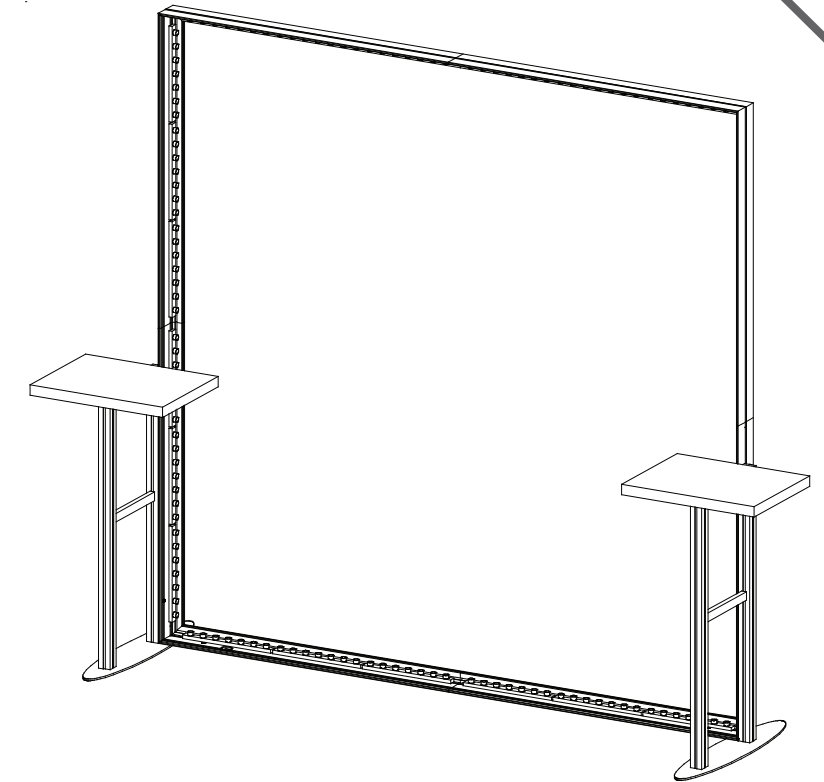
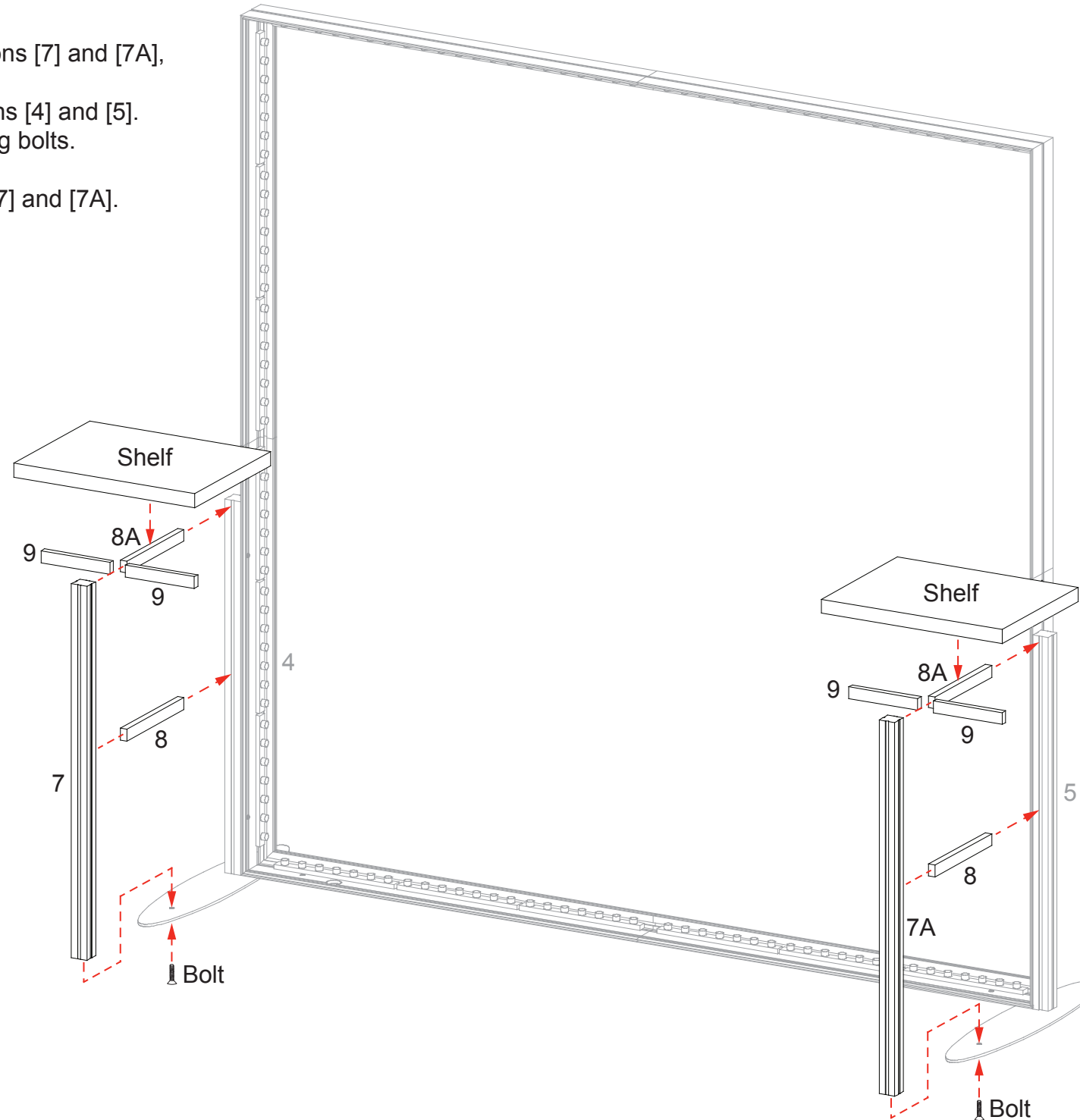




Item	Qty.	Description
7/7A	1/1	40" S44 Vertical Extrusion
8/8A	1/1	12" Z32 Horizontal Extrusion
9	1	8" Z32 Horizontal Extrusion

Steps:

- 1) Attach horizontal extrusions [8] and [8A] to vertical extrusions [7] and [7A], making sure tops of [8A] are at tops of [7] and [7A].
- 2) Attach extrusions [8] and [8A] to Backwall vertical extrusions [4] and [5].
- 3) Connect vertical extrusions [7] and [7A] to base plate, using bolts.
- 4) Attach horizontal extrusions [9] to each side of extrusions [7] and [7A], making sure tops of [9] are level with tops of [7] and [7A].
- 5) Connect Shelf to Velcro on tops of extrusions [8A] and [9].

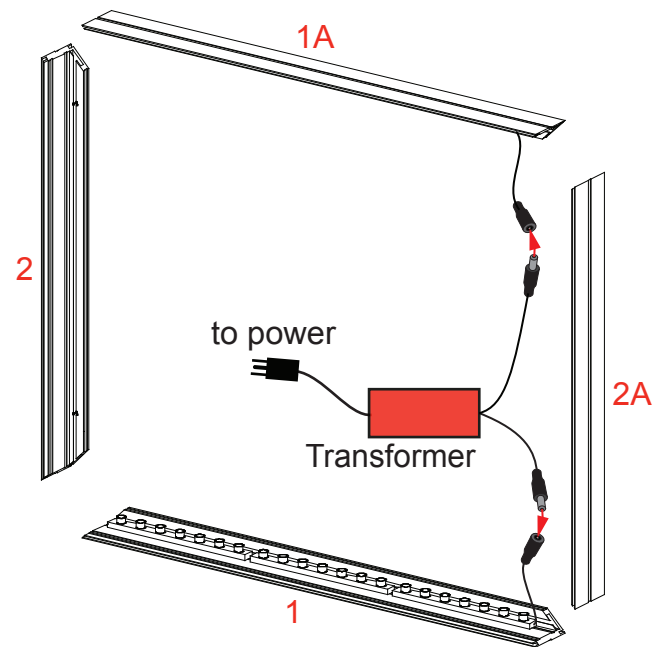
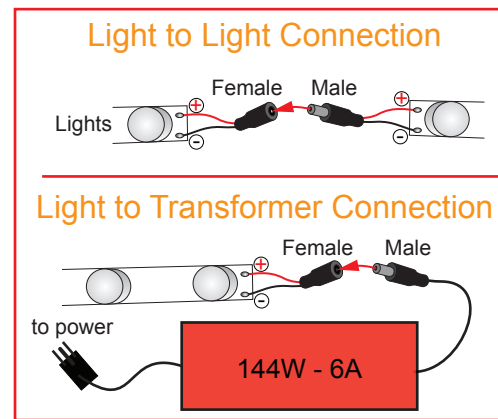


Completed Assembly

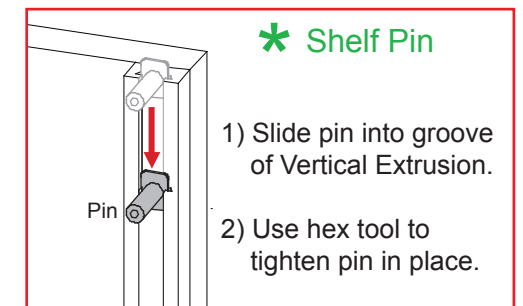
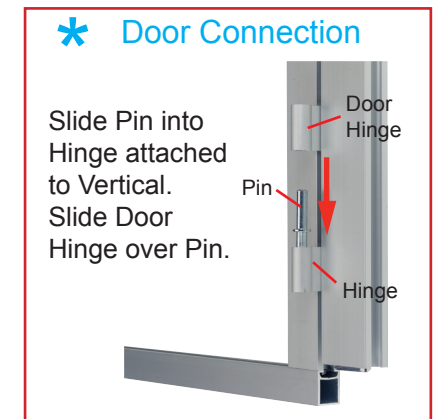
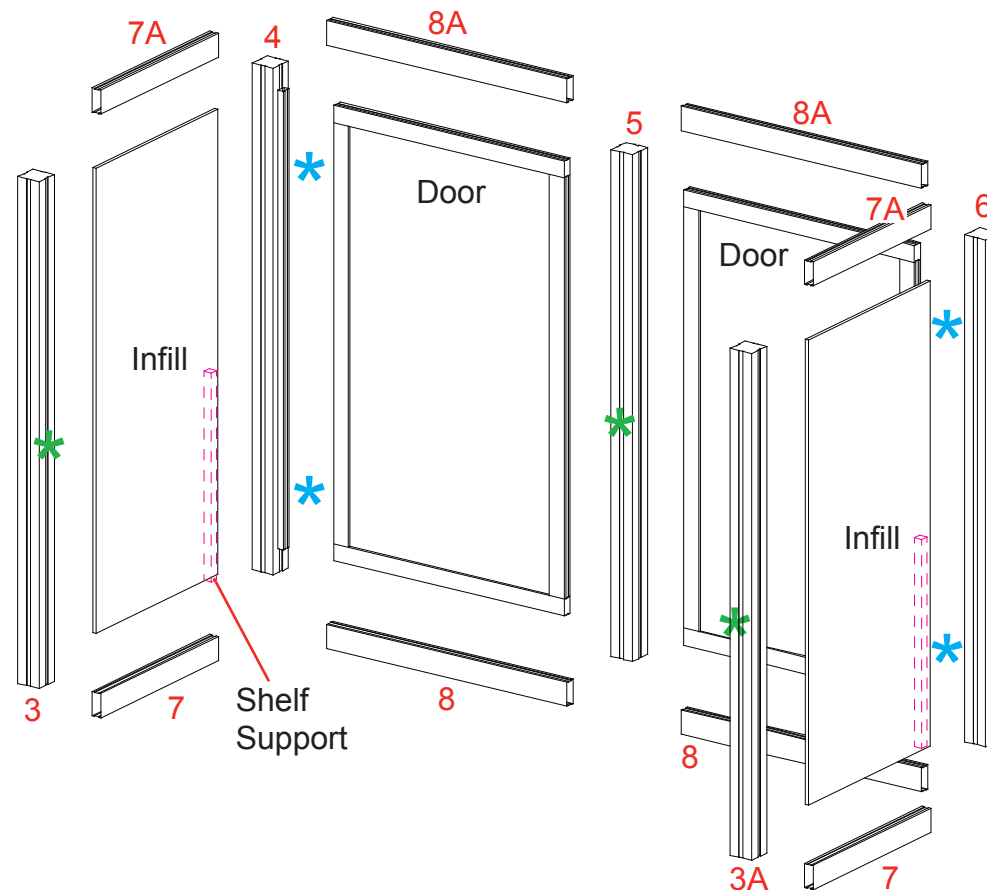
Item	Qty.	Description
1/1A	1/1	46.25" CEI-110 Horizontal Extrusion
2/2A	1/1	37.5" CEI-110 Vertical Extrusion
3/3A	1/1	37.5" S44 Vertical Extrusion
4	1	37.5" S44 Vertical Extrusion w/Door Hinges
5	1	37.5" S44 Vertical Extrusion w/Door Stops
6	1	37.5" S44 Vertical Extrusion w/Door Hinges
7/7A	2/2	14.153" Z45 Horizontal Extrusion
8/8A	2/2	20.408" Z45 Horizontal Extrusion

Steps:

- 1) Assemble Frame Extrusions [1, 1A, 2, 2A]. See CEI-110 Frame Assembly page.
- 2) Connect Lights and Transformer. See [Light to Light Connection](#) and [Light to Transformer Connection](#) details.
- 3) Attach Horizontals [7] & [8] between Verticals [3, 3A, 4, 5, 6].
- 4) Slide Infills between Verticals [3, 4] & [3A, 6].
- 5) Connect Doors between Verticals [4, 5] & [5, 6]. See [Door Connection](#) detail.
- 6) Attach Horizontals [7A] & [8A] between Verticals [3, 3A, 4, 5, 6] and on top of Infills and Doors.
- 7) Connect Shelf Supports to Velcro on inside of Infills and insert pins to Verticals [3] [3A] & [5]. See [Shelf Pin](#) detail.

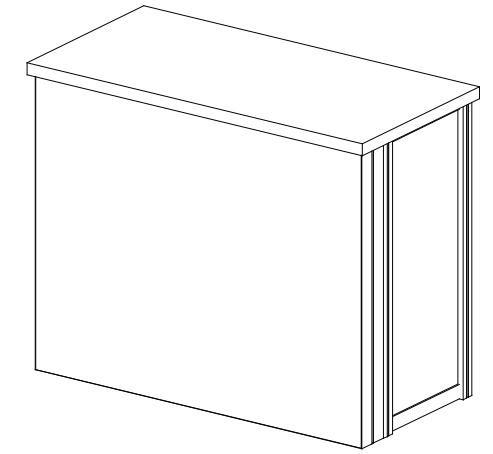
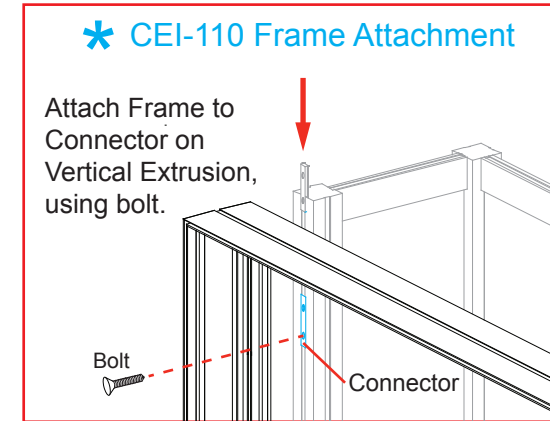
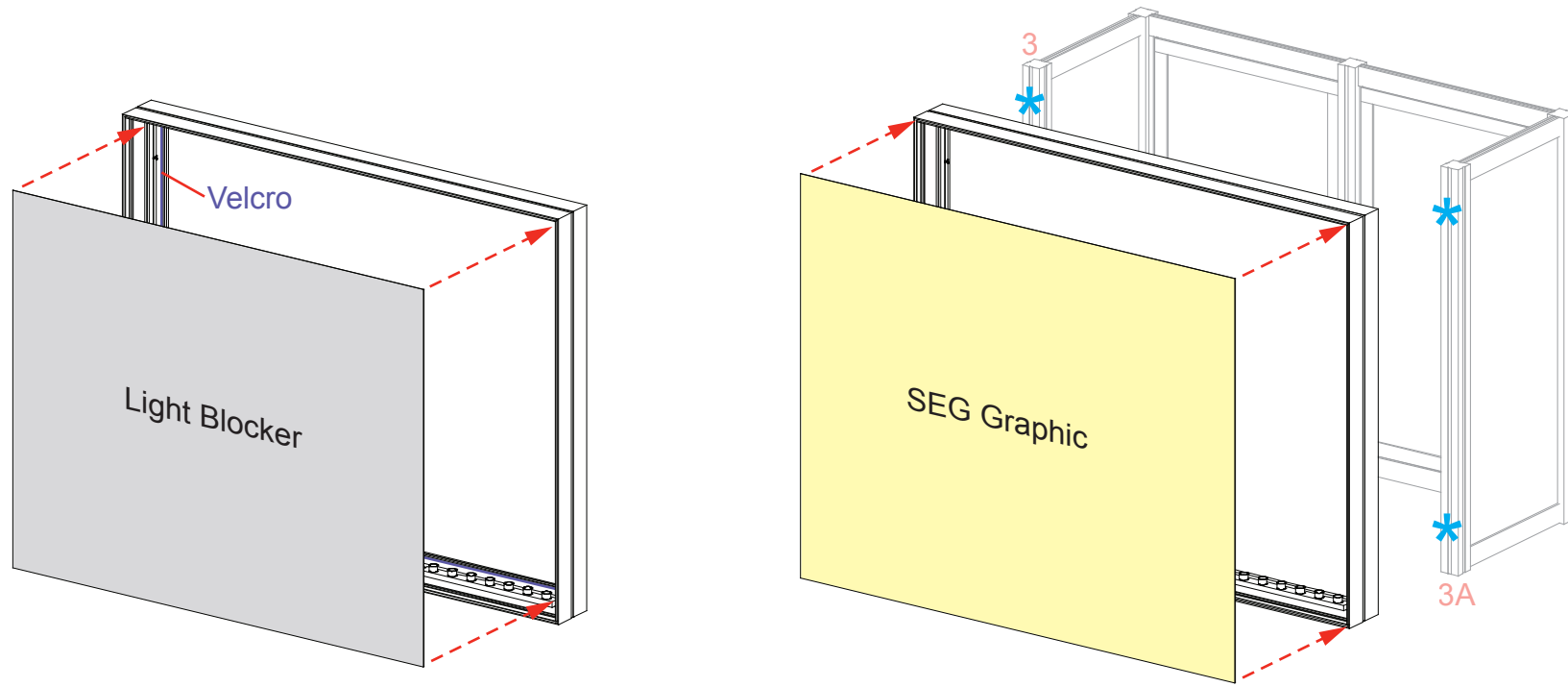


CEI-110 Frame Assembly

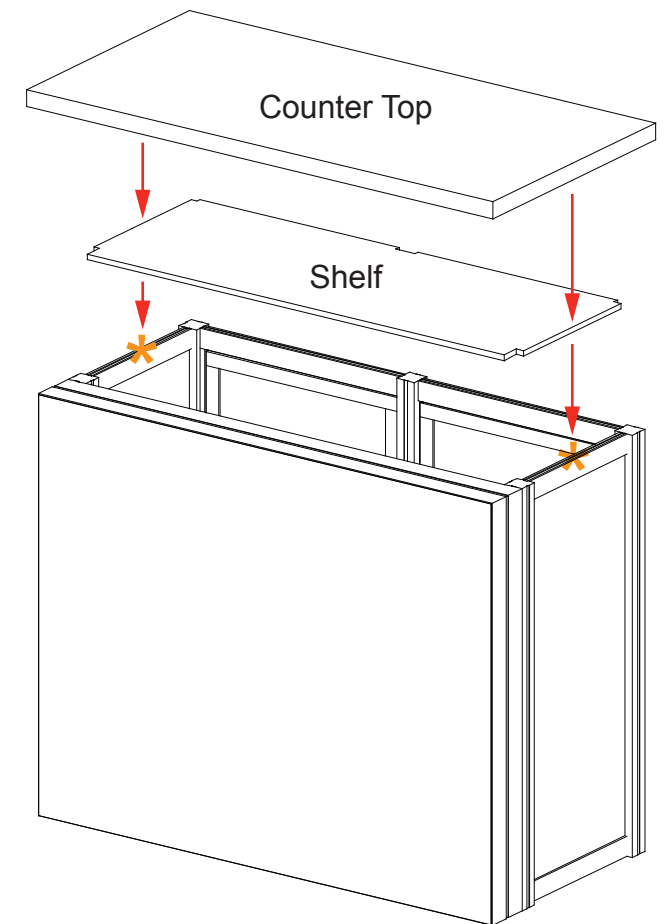


Steps:

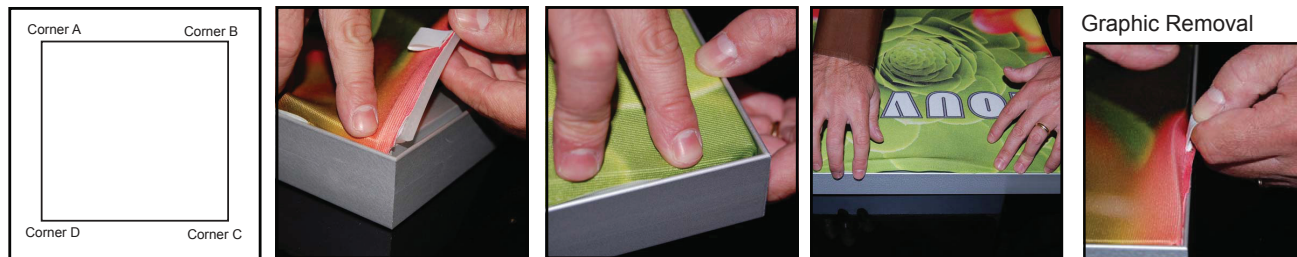
- 1) Connect Light Blocker to Velcro on interior of assembled Frame.
- 2) Attach assembled Frame to Verticals [3] & [3A].  
See [Frame Attachment](#) detail.
- 3) Install SEG Graphic to front of assembled Frame.  
See [SEG Graphic Installation](#) detail.
- 4) Place Shelf inside assembled base on top of pins and supports.
- 5) Place Counter Top on assembled base, then secure with pins.  
See [Counter Top Attachment](#) detail.



Completed MOD-1700 Assembly



**SEG Graphic Installation**



It is important to first insert graphic into each alternate corner then to the sides of the frame. If this is not done, graphic will not fit into the frame correctly.

**Step 1**  
Insert corner A. Turn edge of graphic so silicon welt is perpendicular to face of graphic. Insert narrow side of welt with fabric to outside into the channel. Repeat for other side of this corner.

**Step 2**  
Repeat Step 1 for opposite corner C, then insert corner B, followed by corner D, to complete the installation of the corners.

**Step 3**  
Once all corners are inserted, press one silicon edge into channel from corners and work toward the center. Make sure welt is fully inserted into channel. Continue until all sides are done. Smooth out edges of graphic.

**Graphic Removal**  
To remove the graphic from the frame, locate the fabric pull tab. Gently pull up on the tab to remove the fabric.

