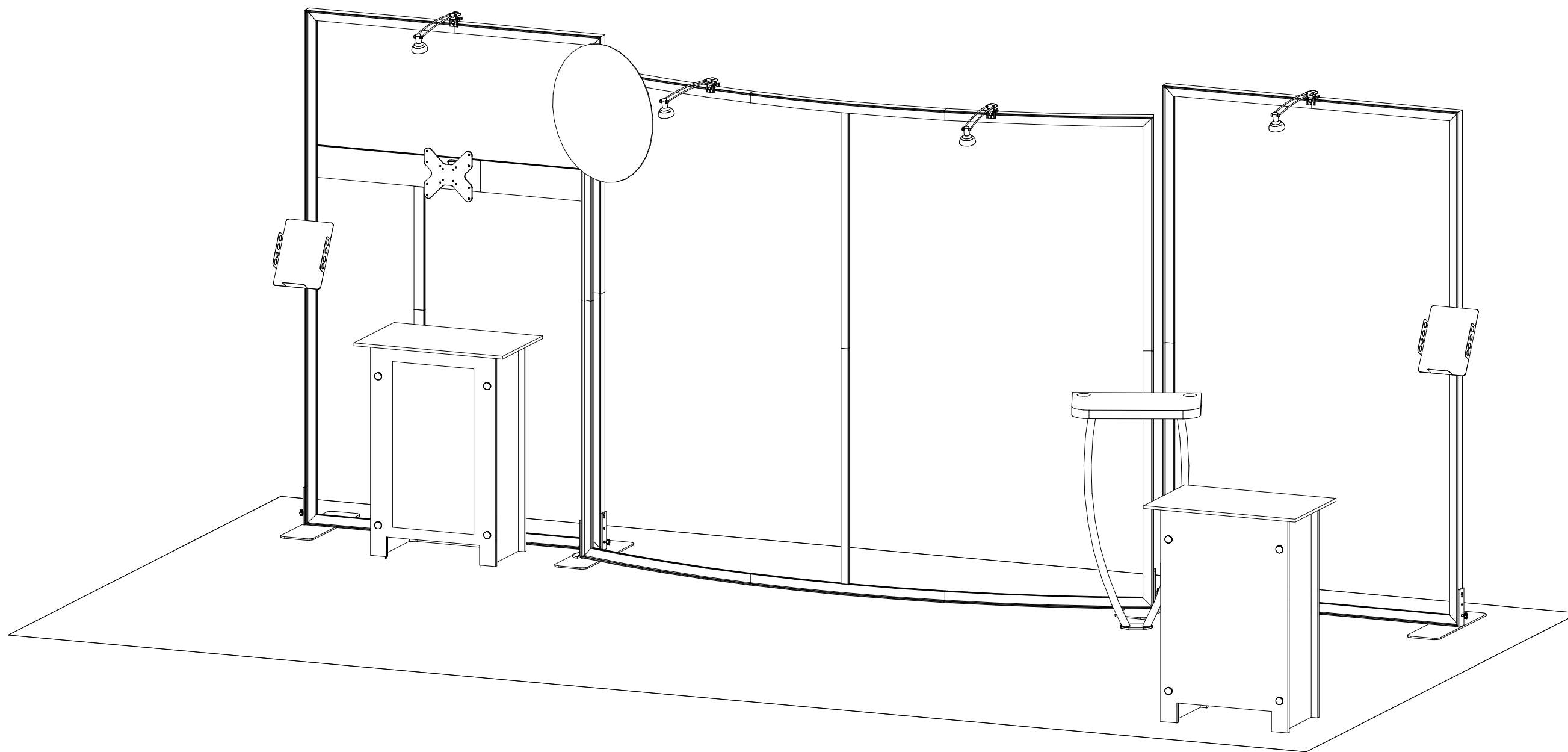


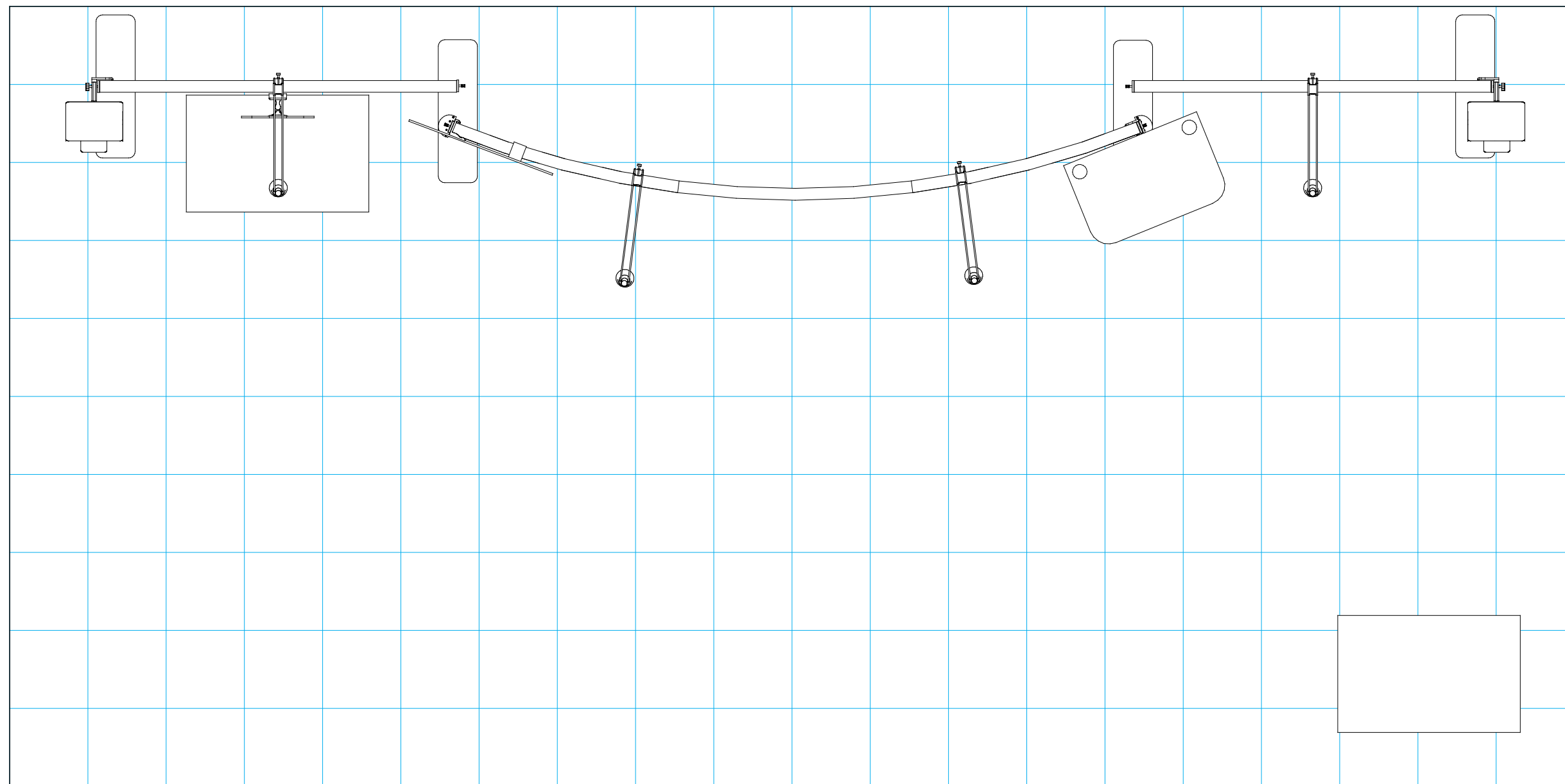
10'


20'

Plan View



# SETUP INSTRUCTIONS



 = 1 sq ft

## General Setup Instructions

- Read entire setup instruction manual prior to unpacking parts and pieces.
- The setup instructions are created specifically for this configuration.
- Setup instructions are laid out sequentially in steps, including exploded views with detailed explanation for assembly.



Part Identification - Numbering

## Cleaning & Packing

- For Cleaning Metal, Plex, & Laminate Parts: Use a **MILD NON-ABRASIVE** cleanser and soft cloth/paper towel to clean all surfaces.
- Keep exhibit components away from heat and prolonged sun exposure.  
**Heat and UV exposure will warp and fade components.**
- Retain all provided Packing Materials. All provided packing materials are for ease of repacking & component protection.



Engaged Lock



# WARNING



DO NOT USE POWER TOOLS



ALL CONNECTIONS MUST BE TIGHTLY SECURED

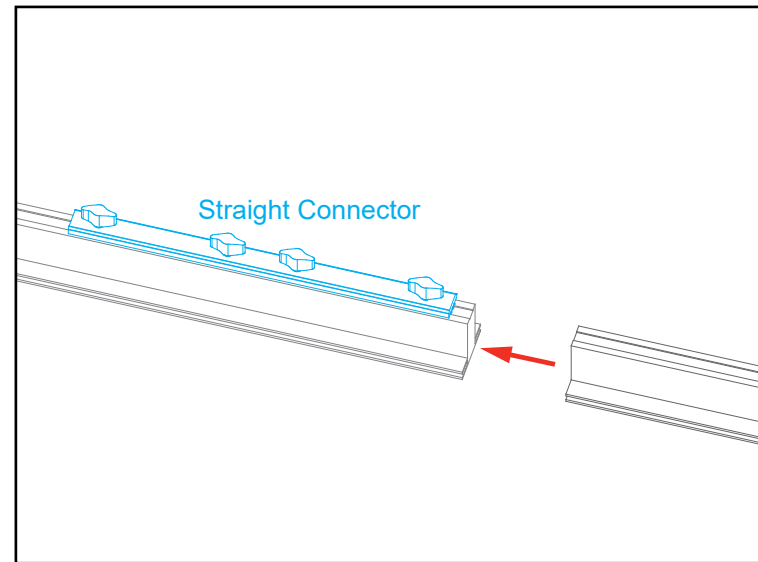
## Disassembly

- For loss prevention, keep all knobs & connectors attached to extrusions during disassembly.

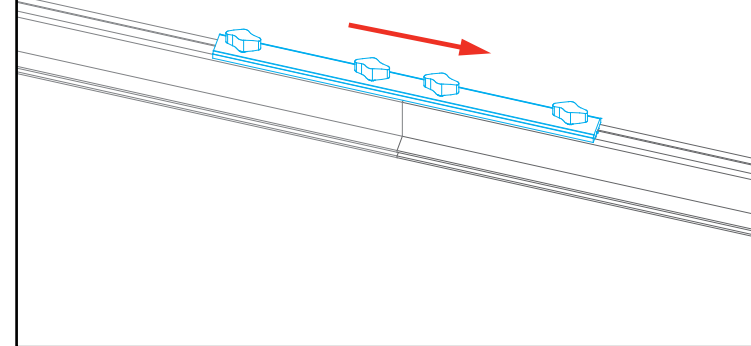
## Straight Connection

When assembling frame, first attach all **straight connectors**, then attach **corner connectors**.

- 1) Place extrusions end-to-end.
- 2) Loosen all knobs, then slide **straight connector** across the seam of extrusions.
- 3) Tighten all knobs to secure connection.



Slide connector across seam of extrusions.  
Tighten all knobs.



All knobs must be tightened securely to ensure a proper connection.

## Disassembly

- 1) Loosen all knobs.
- 2) Slide connectors off of one extrusion.
- 3) Tighten knobs to prevent loss during packing & shipping.

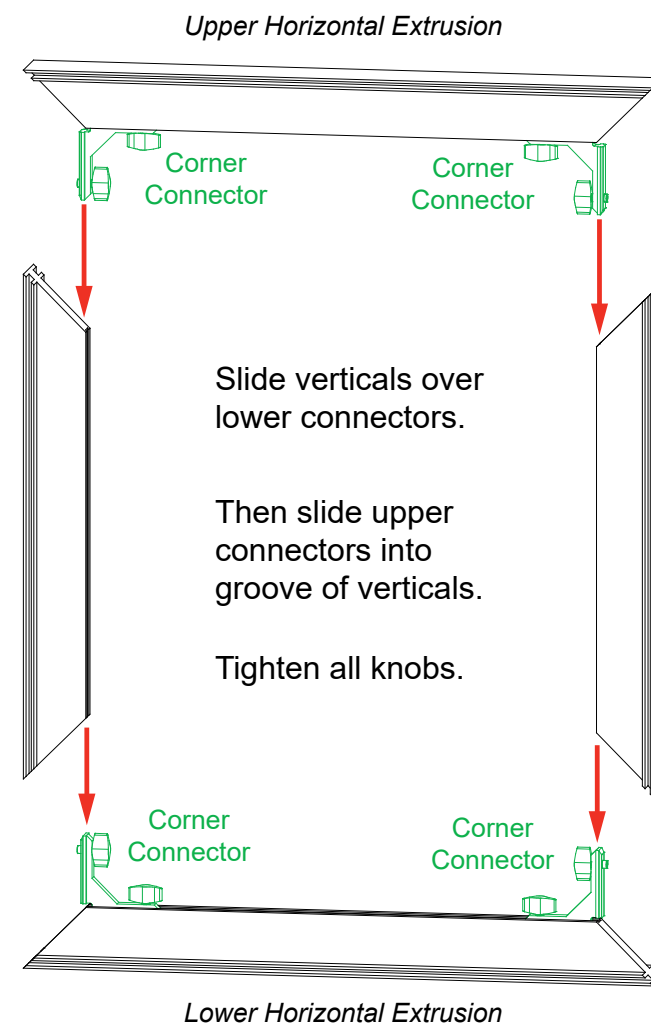
Keep straight connectors in groove of extrusion. Do not remove connectors during disassembly.

## Corner Connection

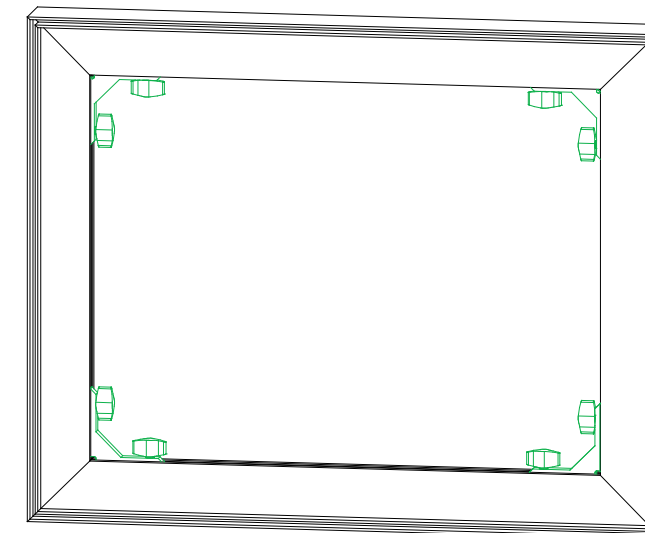
- 1) Loosen knobs, then slide vertical extrusions onto **corner connectors** of **lower** horizontal extrusion.
- 2) Slide **corner connectors** of **upper** horizontal extrusion into grooves of vertical extrusions.
- 3) Tighten all knobs to secure connection.

## Disassembly

- 1) Loosen knobs on vertical extrusions.
- 2) Slide the vertical extrusions off of **corner connectors** on lower and upper horizontal extrusions.

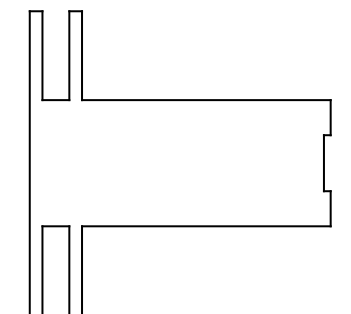


Adjust connectors if necessary to prevent gaps in connection.



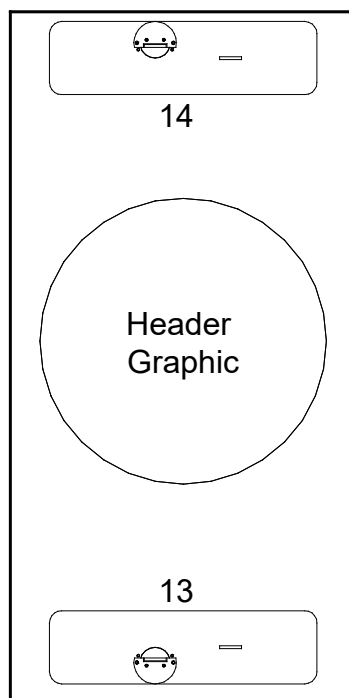
COMPLETED ASSEMBLY

All knobs must be tightened securely to ensure a proper connection.

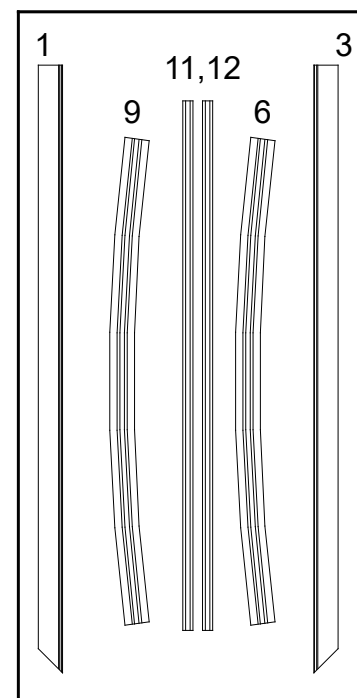


TSP49 Profile

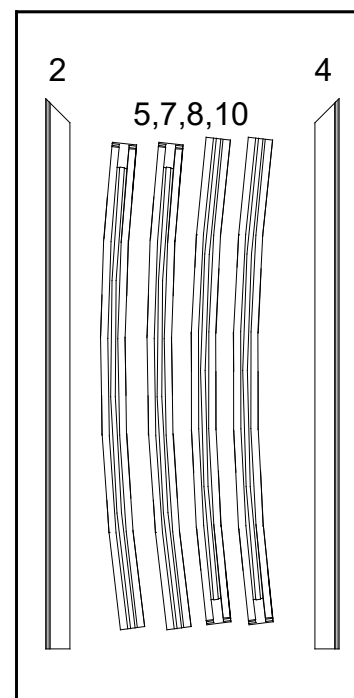
## Top View of Each Level



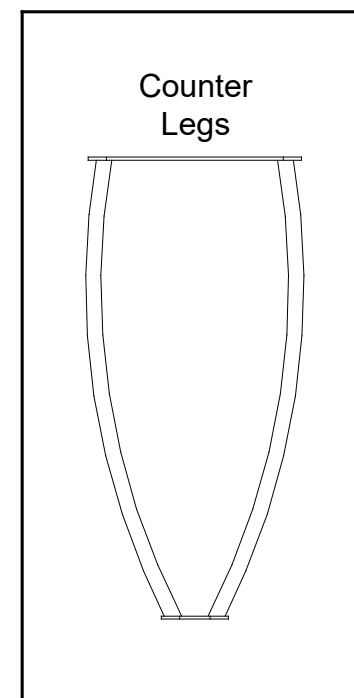
Level 1  
(Bottom level)



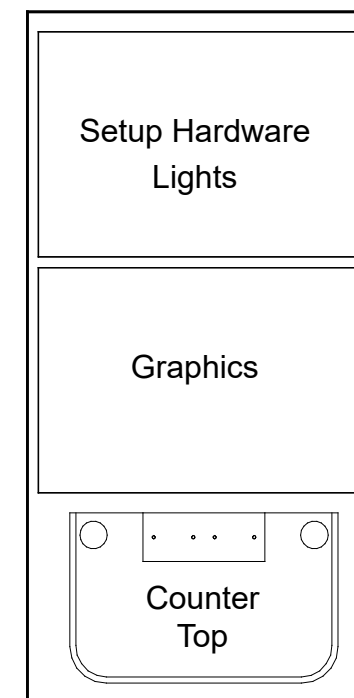
Level 2



Level 3

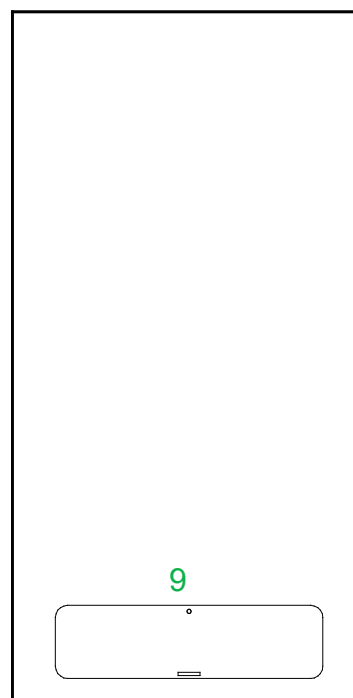


Level 4

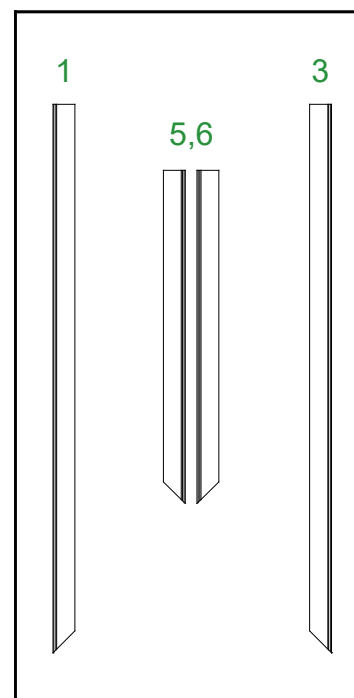


Level 5

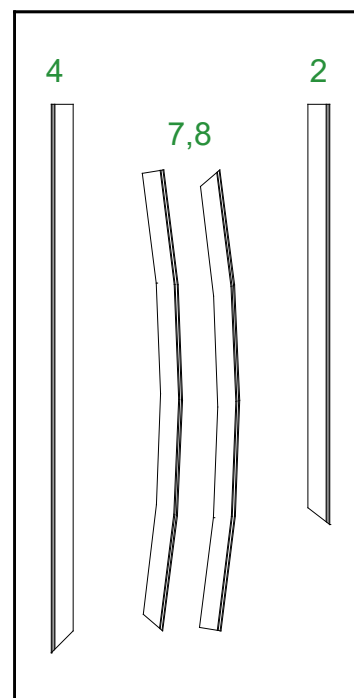
## Top View of Each Level



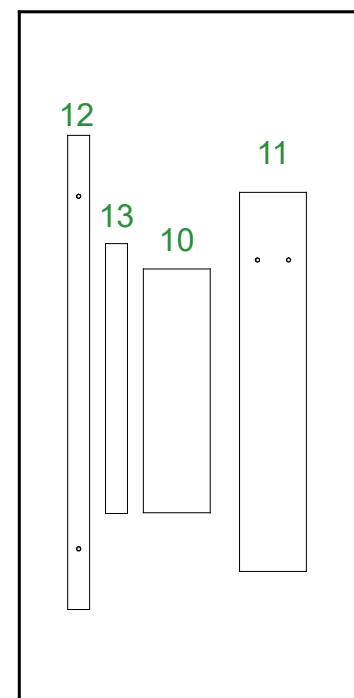
Level 1  
(Bottom level)



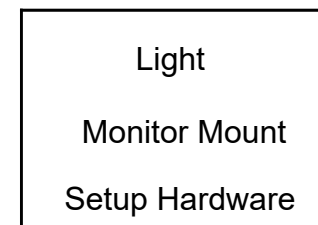
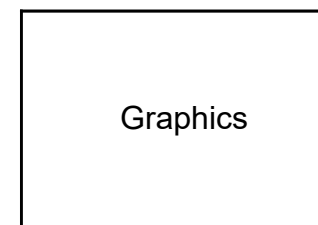
Level 2



Level 3



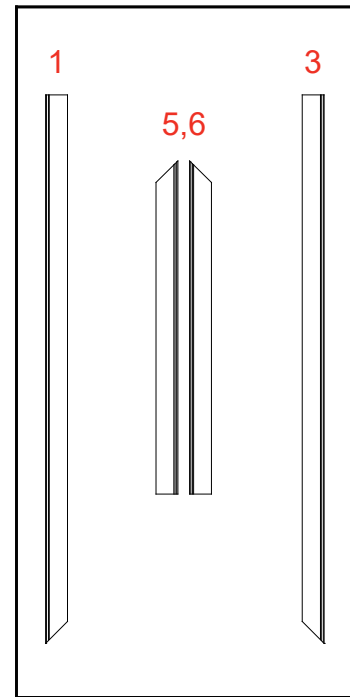
Level 4



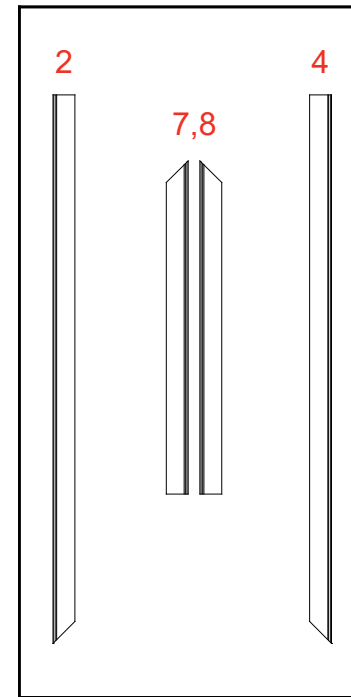
## Top View of Each Level



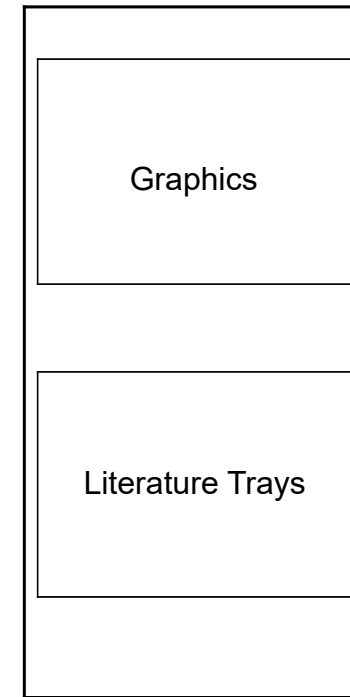
Level 1  
(Bottom level)



Level 2

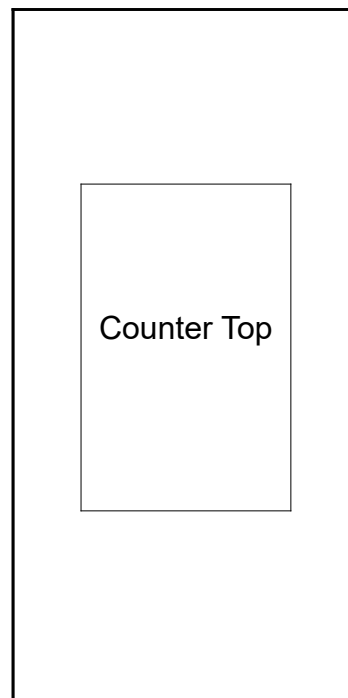


Level 3

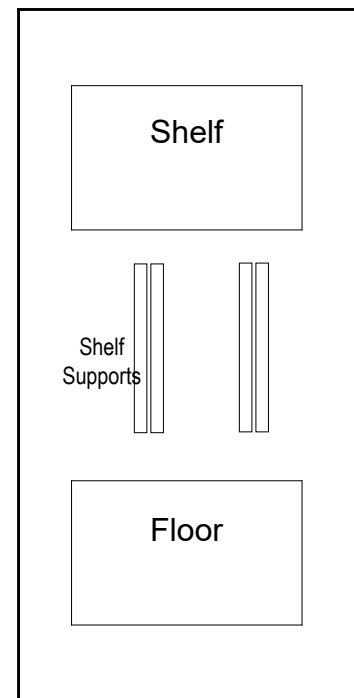


Level 4

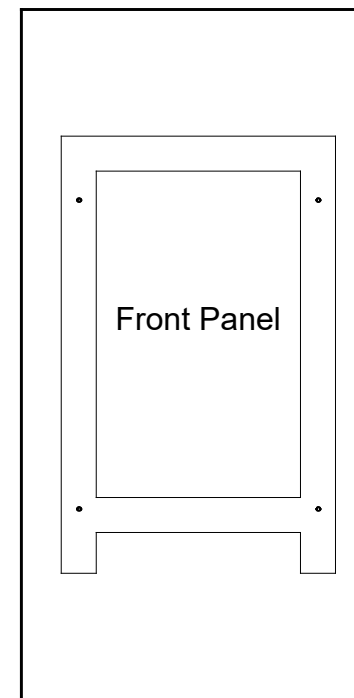
## Top View of Each Level



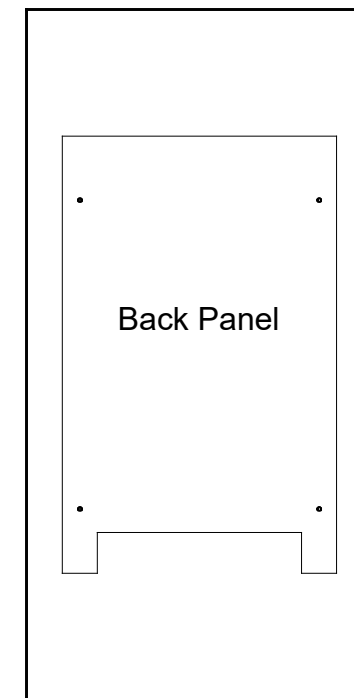
Level 1  
(Bottom level)



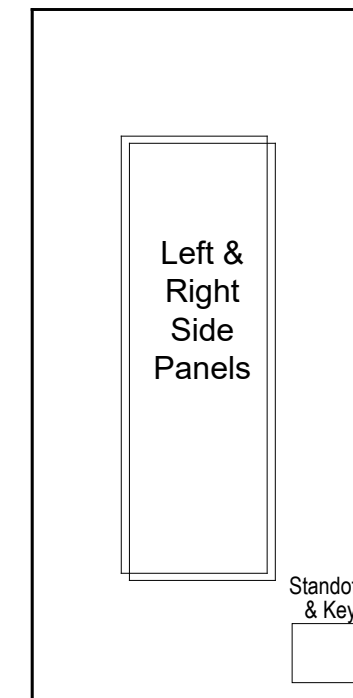
Level 2



Level 3



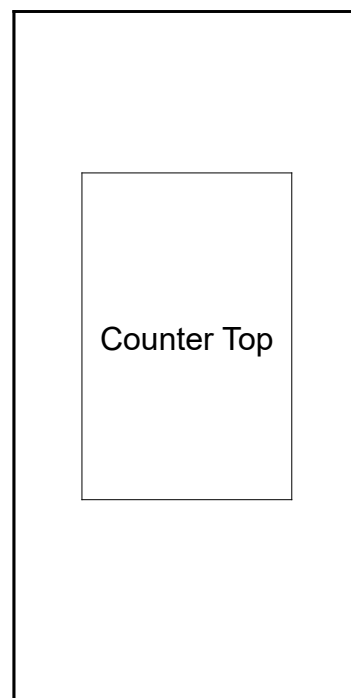
Level 4



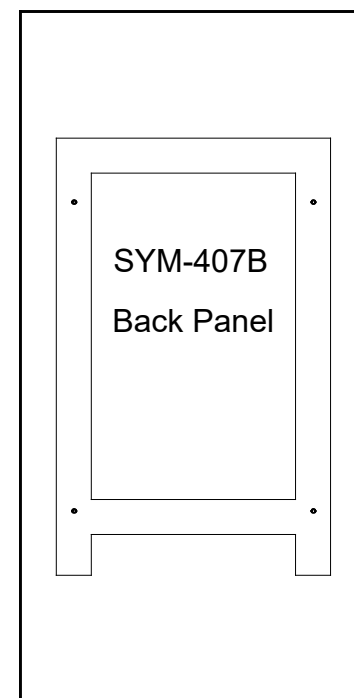
Level 5



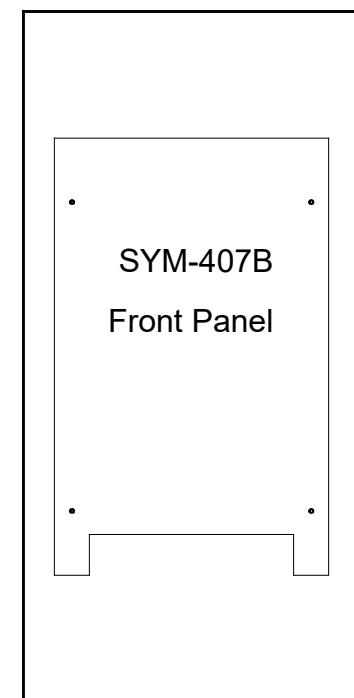
## Top View of Each Level



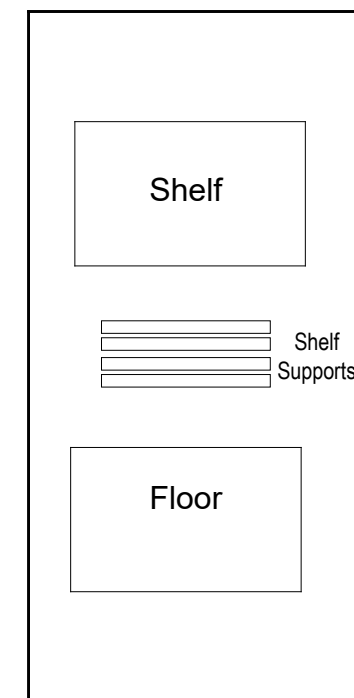
Level 1  
(Bottom level)



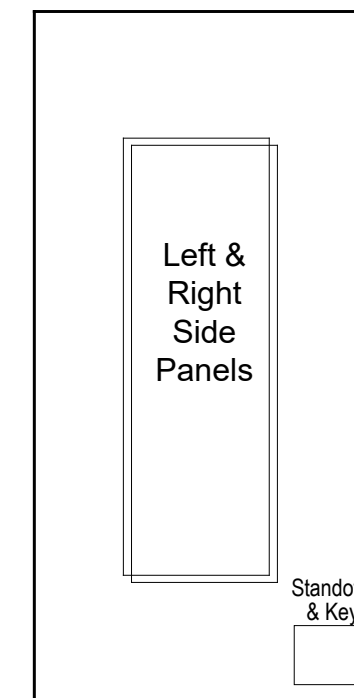
Level 2



Level 3



Level 4



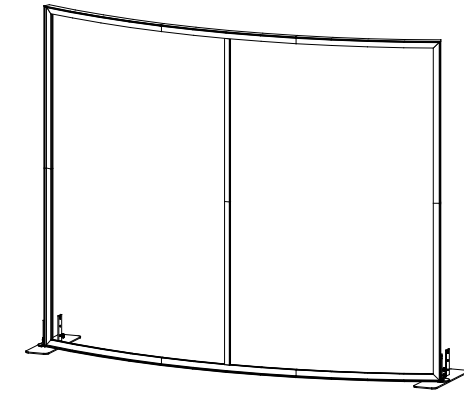
Level 5

| Item | Qty. | Description                                |
|------|------|--|
| 1    | 1    | 45"h TSP49 Vertical Extrusion              |
| 2    | 1    | 41"h TSP49 Vertical Extrusion              |
| 3    | 1    | 45"h TSP49 Vertical Extrusion              |
| 4    | 1    | 41"h TSP49 Vertical Extrusion              |
| 5    | 1    | 36.166"w TSP49 curved Horizontal Extrusion |
| 6    | 1    | 36.166"w TSP49 curved Horizontal Extrusion |
| 7    | 1    | 36.166"w TSP49 curved Horizontal Extrusion |
| 8    | 1    | 36.166"w TSP49 curved Horizontal Extrusion |
| 9    | 1    | 36.166"w TSP49 curved Horizontal Extrusion |
| 10   | 1    | 36.166"w TSP49 curved Horizontal Extrusion |
| 11   | 1    | 45.209"h Z45 Vertical Extrusion            |
| 12   | 1    | 37.209"h Z45 Vertical Extrusion            |
| 13   | 1    | 6" x 22" Base Plate w/ flange (left)       |
| 14   | 1    | 6" x 22" Base Plate w/ flange (right)      |

Steps:

Refer to the [Tool-less Frame Assembly general information page](#).

- 1) Assemble vertical extrusions [1-2], [3-4], [11-12] & horizontals [5-6-7], [8-9-10] together, using [Tool-less Spline Connectors](#) labeled [X] & [Z].
- 2) Connect vertical assemblies [1/2], [3/4] between horizontal assemblies [5/6/7], [8/9/10], using [Tool-less Corner Connectors](#) labeled [A] & [C].
- 3) Install Base Plates [13] & [14] to bottom corners of frame assembly as shown. See [Base Plate Attachment](#) detail.
- 4) Lift frame to upright position, then connect vertical assembly [11/12] between horizontal assemblies [5/6/7], [8/9/10] using [Connection Lock w/ Knob](#).

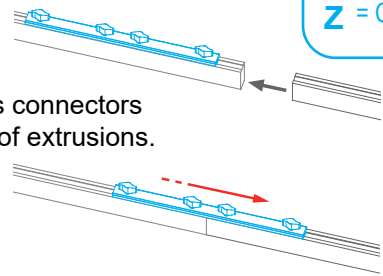


When assembled

Assemble frame flat on ground.

**\* Tool-less Spline Connector**

1. Place extrusions end-to-end.

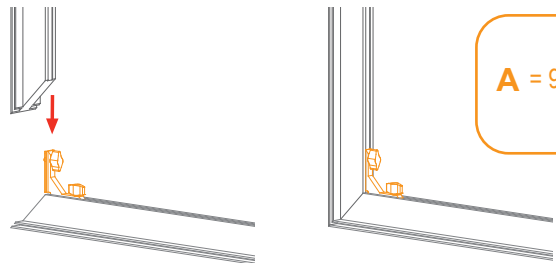


X = Straight spline  
Z = Curved spline

3. Tighten all knobs to secure connection.

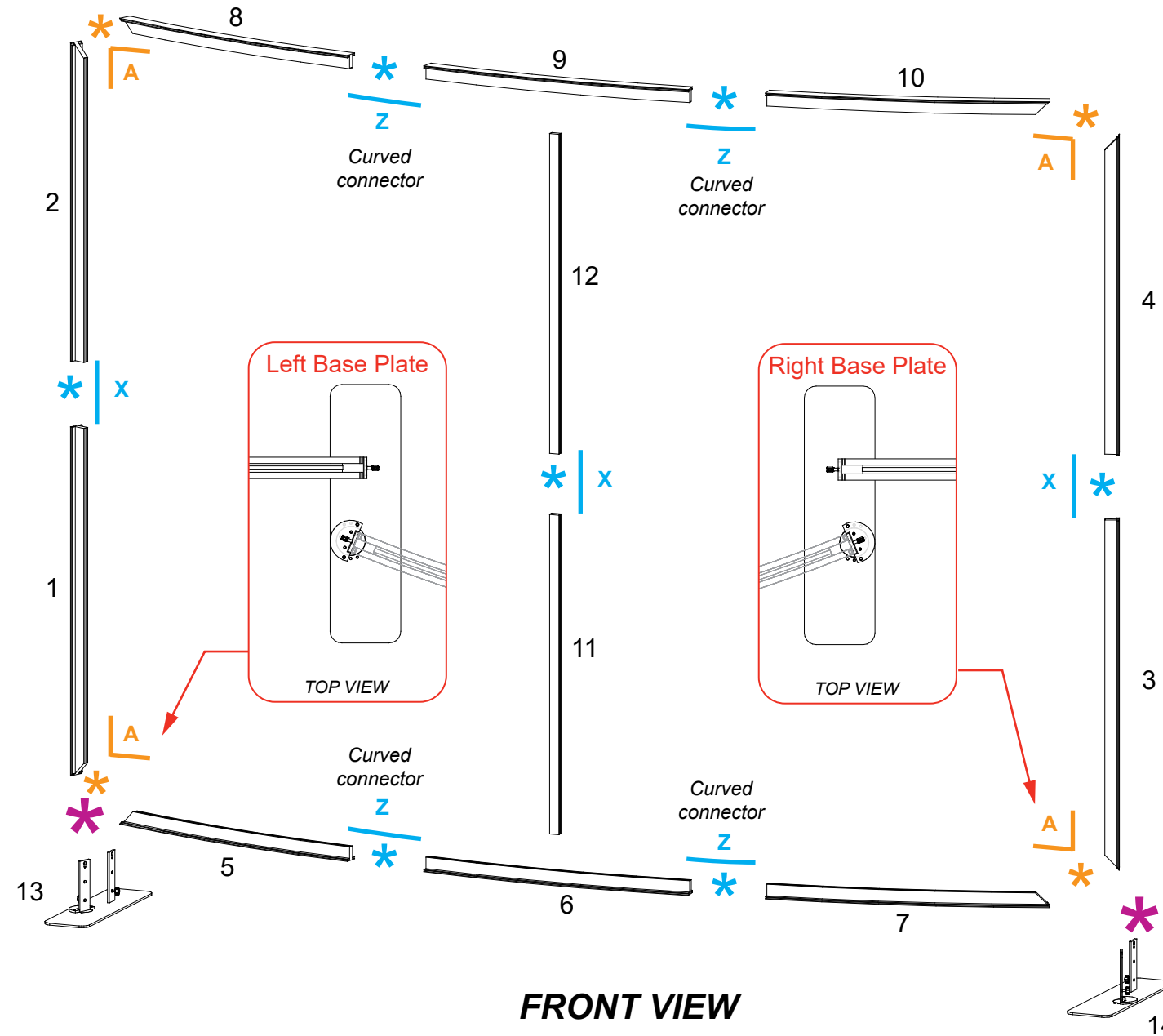
**\* Tool-less Corner Connector**

1. Slide extrusion onto Corner Connector.
2. Tighten all knobs to secure connection.



A = 90° Connector

Keep corner connectors attached to horizontal extrusions.



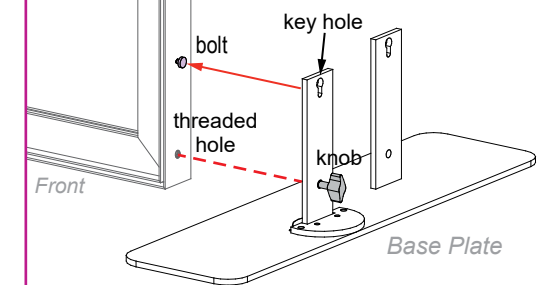
**\* Connection Lock w/ Knob**

Knobs face **back** of assembly.



**\* Base Plate Attachment**

- 1) Place key hole over bolt on panel & slide down.
- 2) Twist knob to secure connection.

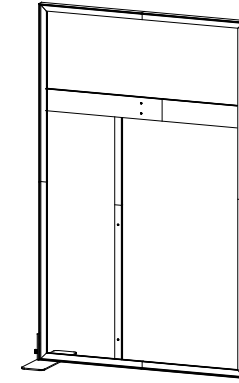


| Item | Qty. | Description                        |
|------|------|------------------------------------|
| 1    | 1    | 45"h TSP49 Vertical Extrusion      |
| 2    | 1    | 45"h TSP49 Vertical Extrusion      |
| 3    | 1    | 45"h TSP49 Vertical Extrusion      |
| 4    | 1    | 45"h TSP49 Vertical Extrusion      |
| 5    | 1    | 27.35"w TSP49 Horizontal Extrusion |
| 6    | 1    | 27.35"w TSP49 Horizontal Extrusion |
| 7    | 1    | 27.35"w TSP49 Horizontal Extrusion |
| 8    | 1    | 27.35"w TSP49 Horizontal Extrusion |
| 9    | 1    | 6" x 22" End Base Plate w/ foot    |
| 10   | 1    | 24"w Z140 Horizontal Extrusion     |
| 11   | 1    | 27.117"w Z140 Horizontal Extrusion |

Steps:

Refer to the Tool-less Frame Assembly general information page.

- 1) Assemble vertical extrusions [1-2], [3-4] & horizontal extrusions [5-6], [7-8] together, using Tool-less Spline connectors labeled [X].
- 2) Connect vertical assemblies [1/2], [3/4] between horizontal assemblies [5/6], [7/8], using Tool-less Corner Connectors labeled [A].
- 3) Install Base Plate [9] to bottom corners of frame assembly as shown. See Base Plate Attachment detail.
- 4) Attach horizontals [10-11] between verticals [1/2], [3/4].
- 5) Connect verticals [12-13] between horizontals [5/6] & [10/11].



When assembled

Assemble frame flat on ground.

**\* Tool-less Spline Connector**

1. Place extrusions end-to-end.

X = Straight spline

2. Slide tool-less connectors across seam of extrusions.

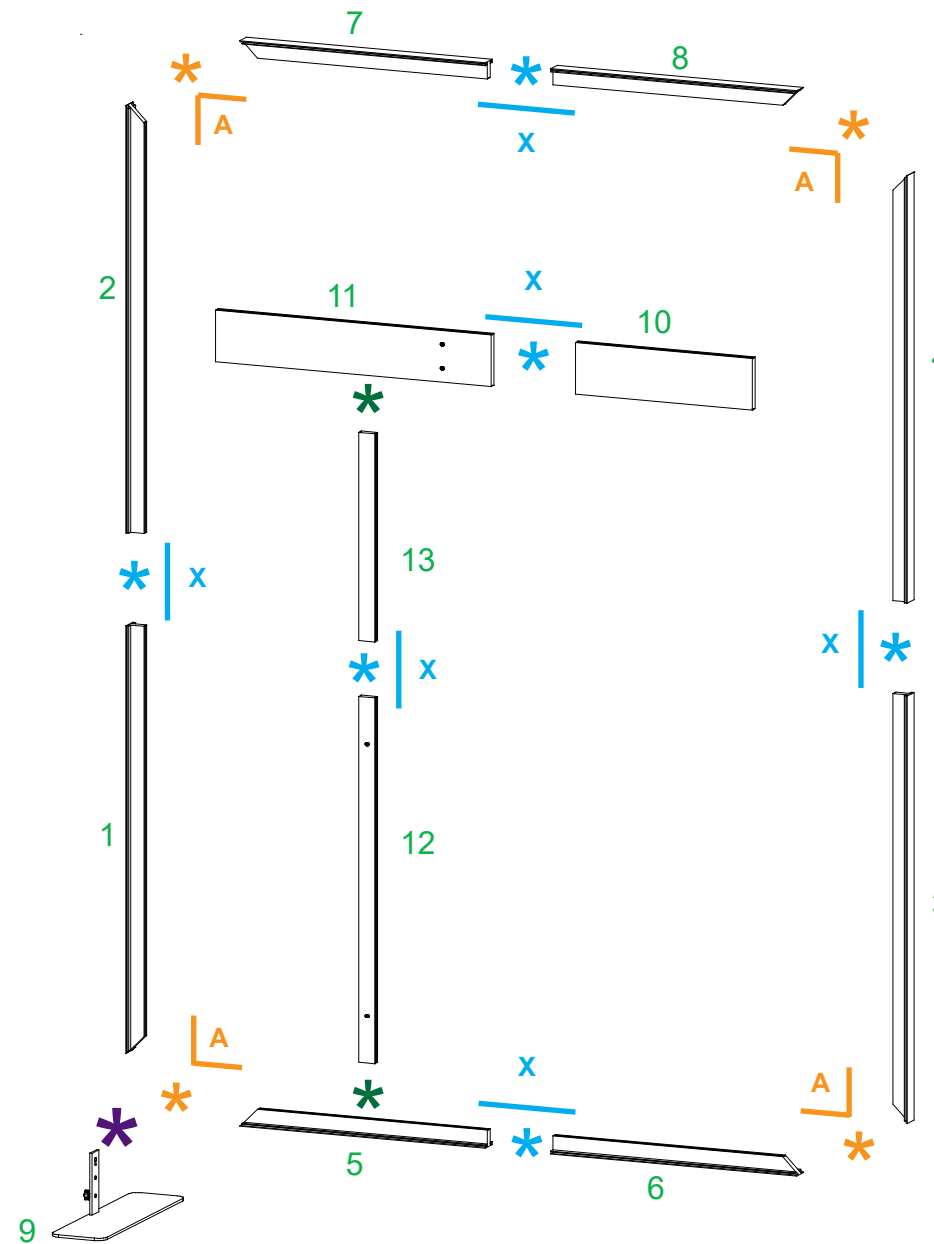
3. Tighten all knobs to secure connection.

**\* Tool-less Corner Connector**

1. Slide extrusion onto Corner Connector.
2. Tighten all knobs to secure connection.

A = 90° Connector

Keep corner connectors attached to horizontal extrusions.



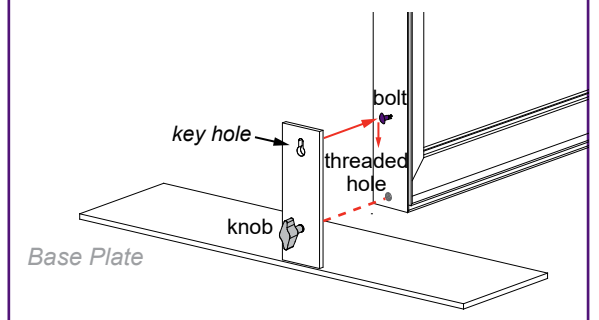
FRONT VIEW



BACK VIEW

**\* Base Plate Attachment**

- 1) Place key hole over bolt on panel & slide down.
- 2) Twist knob to secure connection.

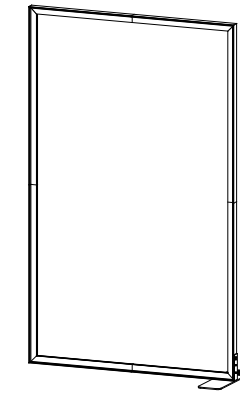


| Item | Qty. | Description                         |
|------|------|-------------------------------------|
| 1    | 1    | 45" h TSP49 Vertical Extrusion      |
| 2    | 1    | 45" h TSP49 Vertical Extrusion      |
| 3    | 1    | 45" h TSP49 Vertical Extrusion      |
| 4    | 1    | 45" h TSP49 Vertical Extrusion      |
| 5    | 1    | 27.35" w TSP49 Horizontal Extrusion |
| 6    | 1    | 27.35" w TSP49 Horizontal Extrusion |
| 7    | 1    | 27.35" w TSP49 Horizontal Extrusion |
| 8    | 1    | 27.35" w TSP49 Horizontal Extrusion |
| 9    | 1    | 6" x 22" End Base Plate w/ foot     |

Steps:

Refer to the Tool-less Frame Assembly general information page.

- 1) Assemble vertical extrusions [1-2], [3-4] & horizontal extrusions [5-6], [7-8] together, using Tool-less Spline connectors labeled [X].
- 2) Connect vertical assemblies [1/2], [3/4] between horizontal assemblies [5/6], [7/8], using Tool-less Corner Connectors labeled [A].
- 3) Install Base Plate [9] to bottom corners of frame assembly as shown. See Base Plate Attachment detail.



When assembled

Assemble frame flat on ground.

**\* Tool-less Spline Connector**

1. Place extrusions end-to-end.

X = Straight spline

2. Slide tool-less connectors across seam of extrusions.

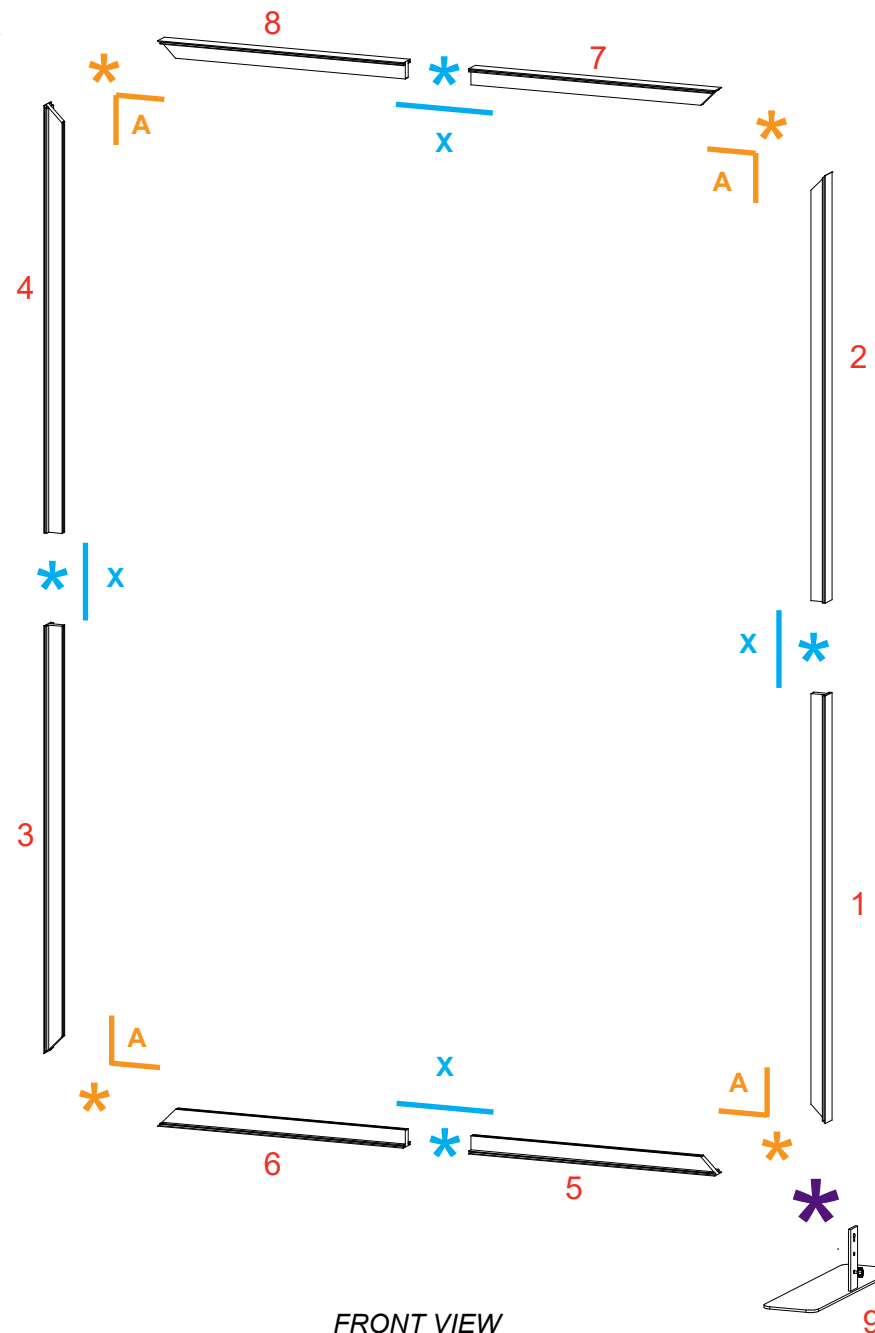
3. Tighten all knobs to secure connection.

**\* Tool-less Corner Connector**

1. Slide extrusion onto Corner Connector.
2. Tighten all knobs to secure connection.

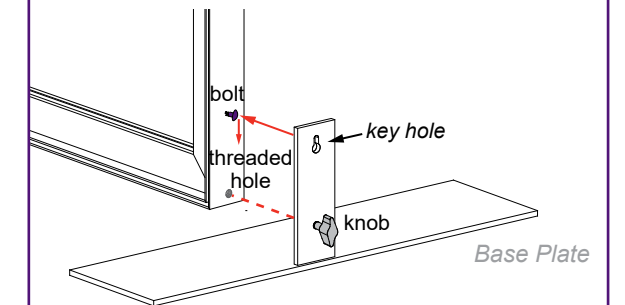
A = 90° Connector

Keep corner connectors attached to horizontal extrusions.



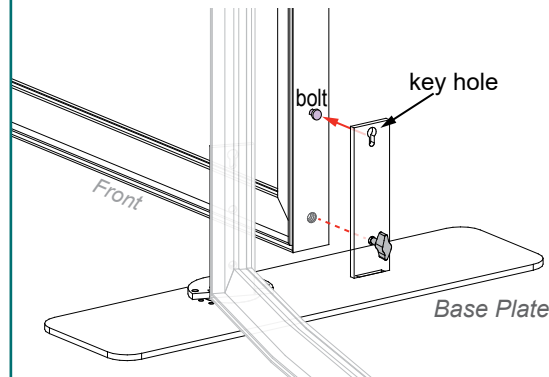
**\* Base Plate Attachment**

- 1) Place key hole over bolt on panel & slide down.
- 2) Twist knob to secure connection.



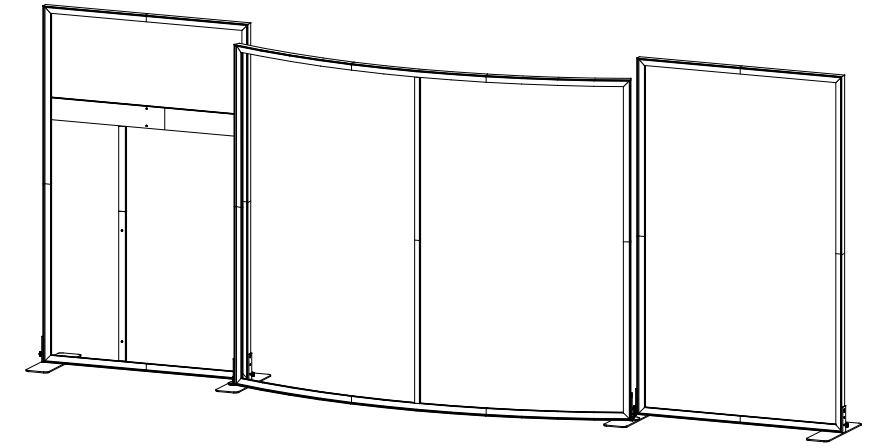
**\* Base Plate Attachment**

Place key hole over bolt on panel & slide down.  
Twist knob to secure connection.

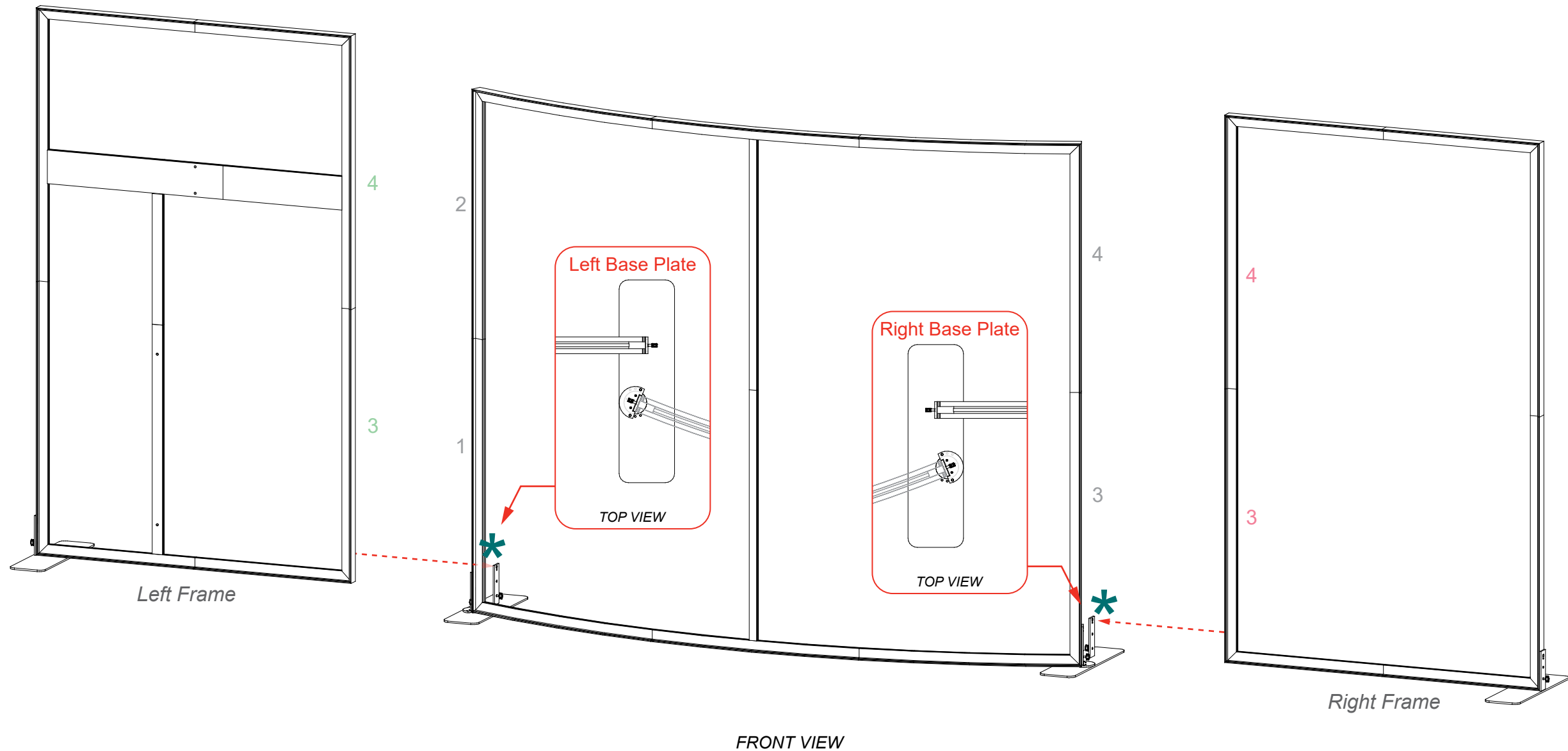


Steps:

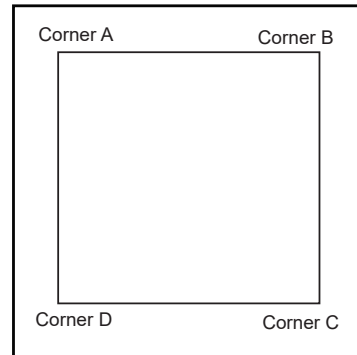
- 1) Connect vertical of Left Frame Assembly to Base Plate of Middle Frame Assembly.  
See [Base Plate Attachment](#) detail.
- 2) Attach vertical of Right Frame Assembly to Base Plate of Middle Frame Assembly.  
See [Base Plate Connection](#) detail.



When assembled



## SEG Graphic Installation



It is important to first insert graphic into each alternate corner, then to the sides of the frame. If this is not done, graphic will not fit into the frame correctly.

**Step 1**  
Insert corner A. Turn edge of graphic so silicon welt is perpendicular to face of graphic. Insert narrow side of welt with fabric to outside into the channel. Repeat for other side of this corner.



**Step 2**  
Repeat Step 1 for opposite corner C, then insert corner B, followed by corner D, to complete the installation of the corners.



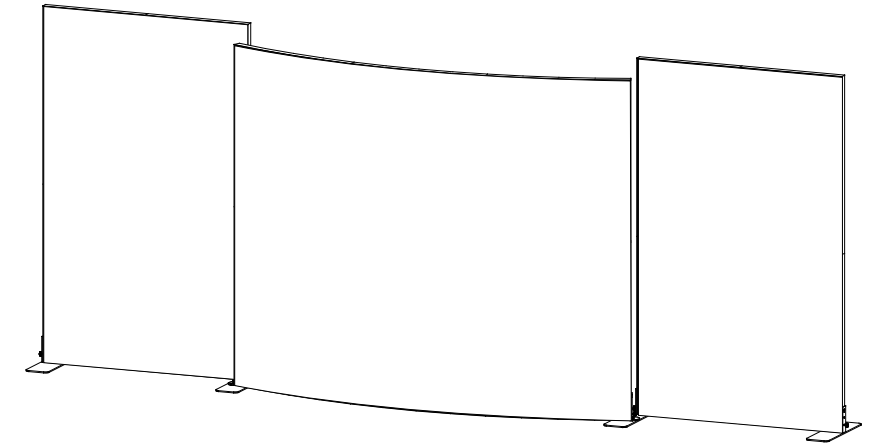
**Step 3**  
Once all corners are inserted, press one silicon edge into channel from corners and work toward the center. Make sure welt is fully inserted into channel. Continue until all sides are done. Smooth out edges of graphic.



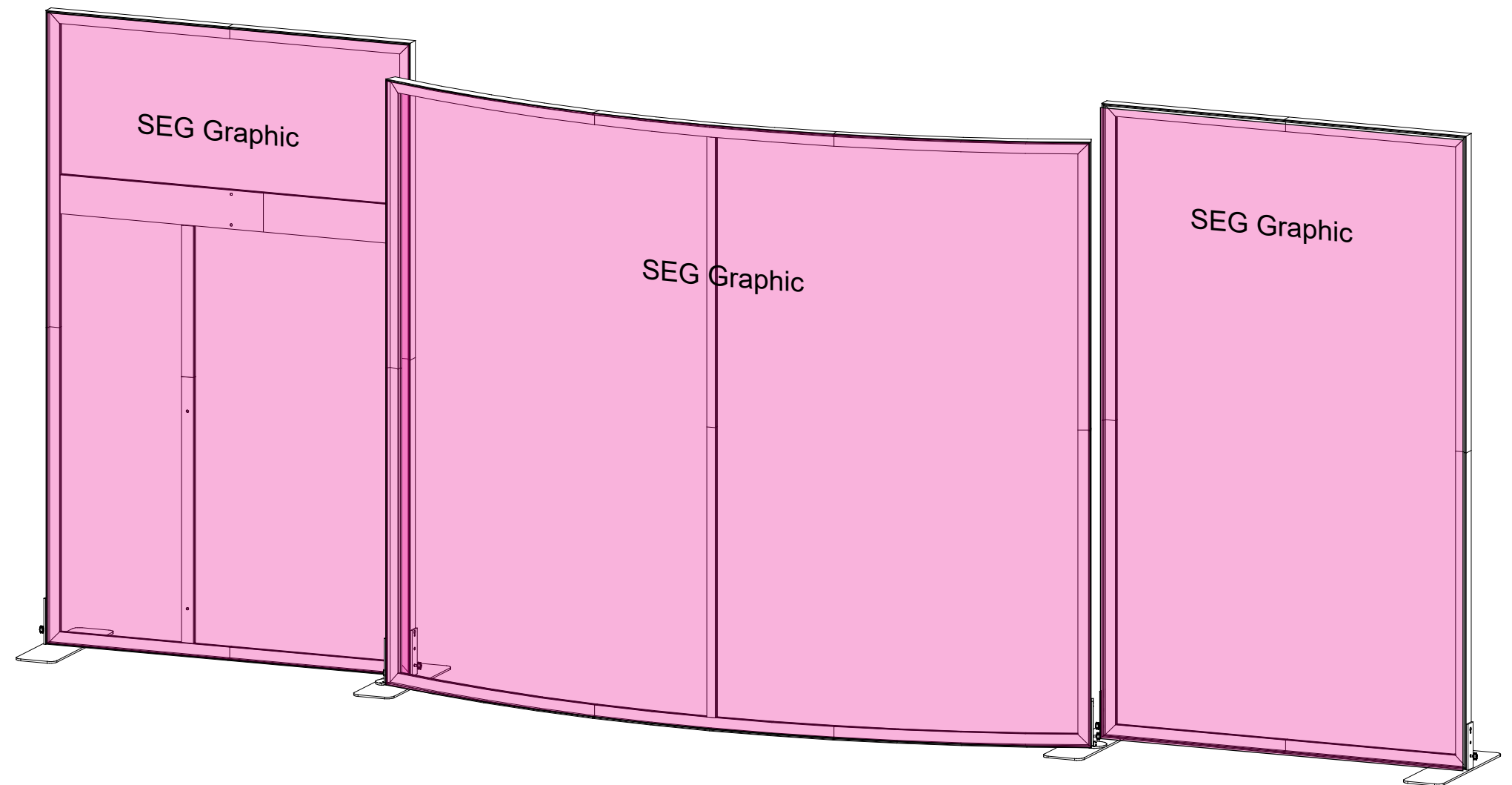
### Graphic Removal

To remove the graphic from the frame, locate the fabric pull tab. Gently pull up on the tab to remove the fabric.

Steps:  
1) Apply SEG Graphics to assembled frames.



When assembled

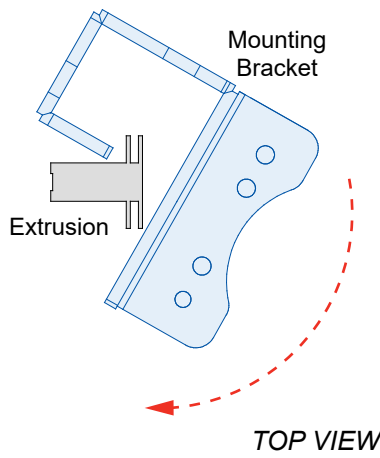


FRONT VIEW



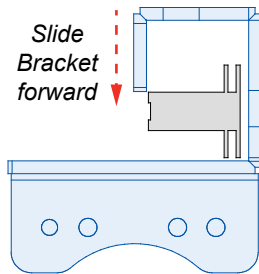
**\* Workstation Bracket Attachment**

① Hook the Mounting Bracket over the vertical extrusion.

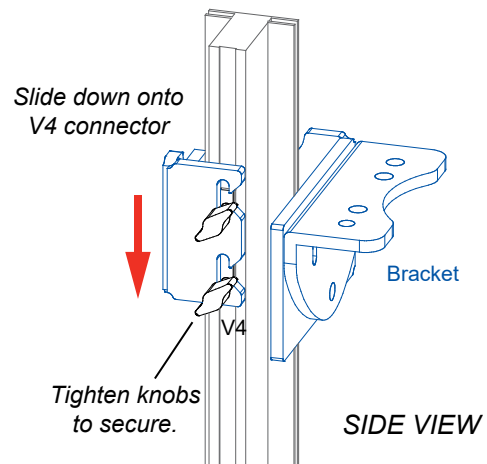


② Slide bracket forward, then down onto V4 connector.

*V4 connectors stay permanently attached to vertical extrusion.*

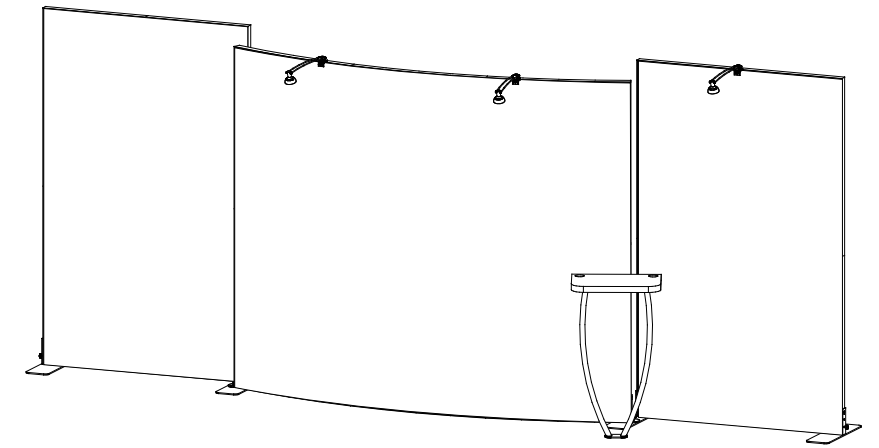


③ Tighten thumb screws to secure connection to inside of frame.



Steps:

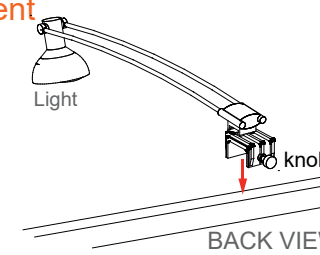
- 1) Attach Workstation Mounting Bracket to backwall vertical as shown. See [Workstation Bracket Attachment](#) detail.
- 2) Assemble Workstation legs & counter top to bracket. See [Workstation Assembly](#) detail.
- 3) Attach Lights to top of backwall as shown. See [Light Attachment](#) detail.



**\* Light Attachment**

Attach clamp of stem light to top of horizontal extrusion where desired.

Twist knob on back to tighten in place.



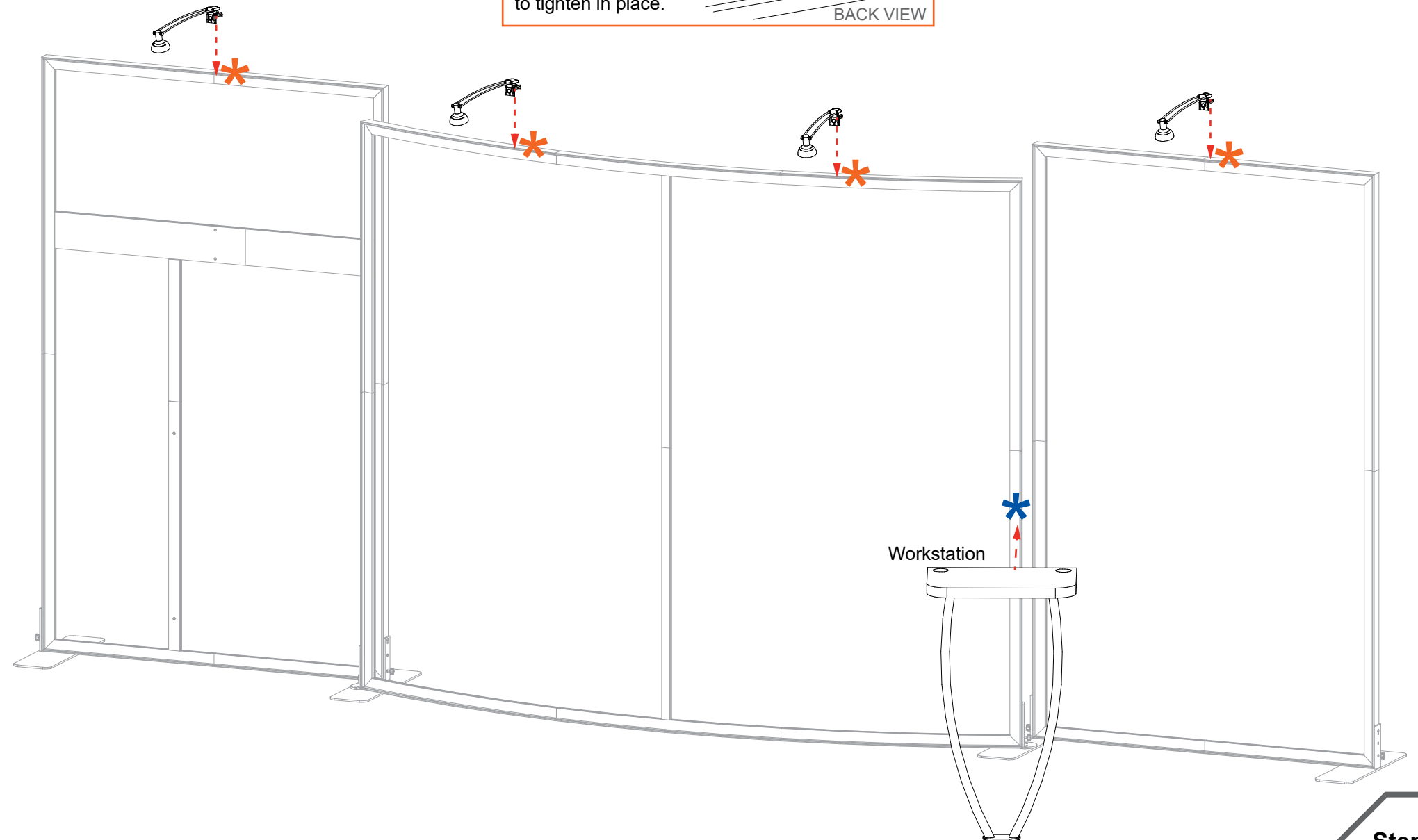
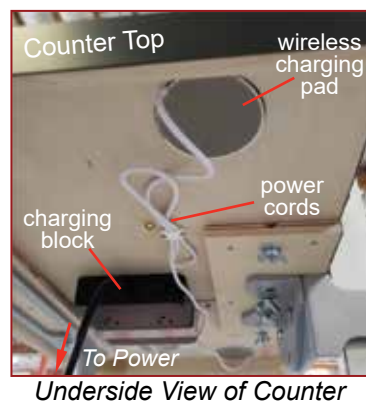
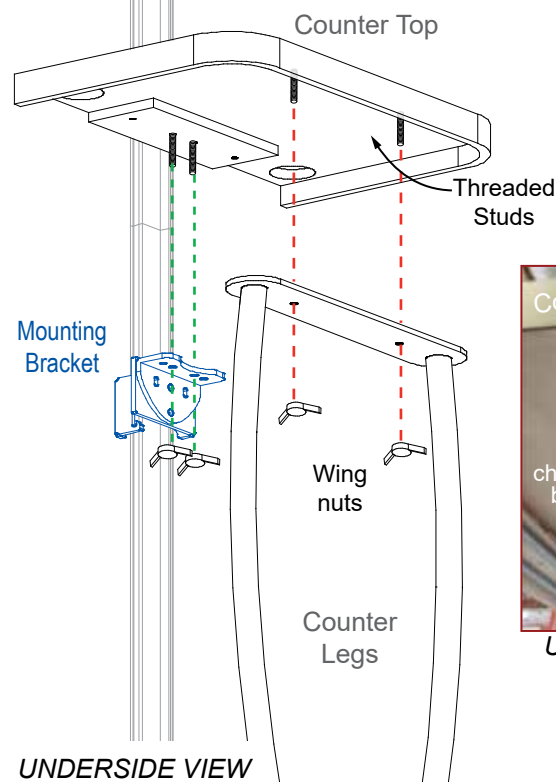
**Workstation Assembly**

1) Attach threaded studs on underside of Counter Top to Counter Legs; secure with wing nuts.

2) Connect Counter Top to Mounting Bracket, using wing nuts.

3) Attach power cords to wireless chargers.

*Keep cords attached to underside of counter top.*

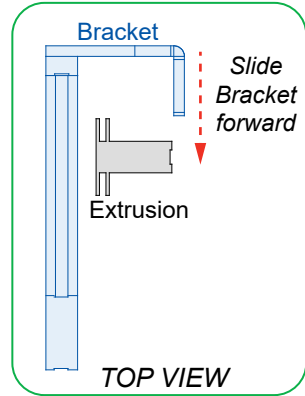
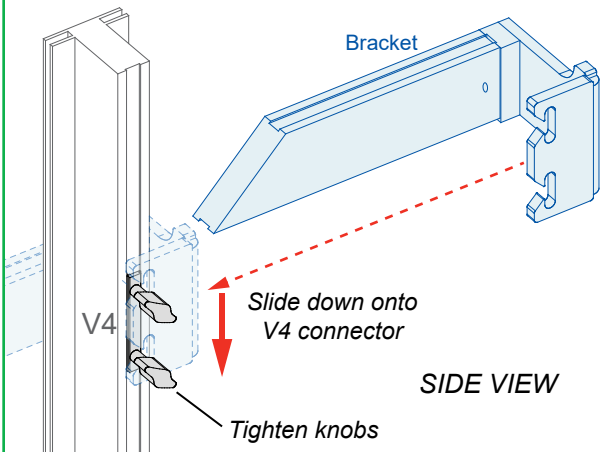


\* Literature Tray Attachment

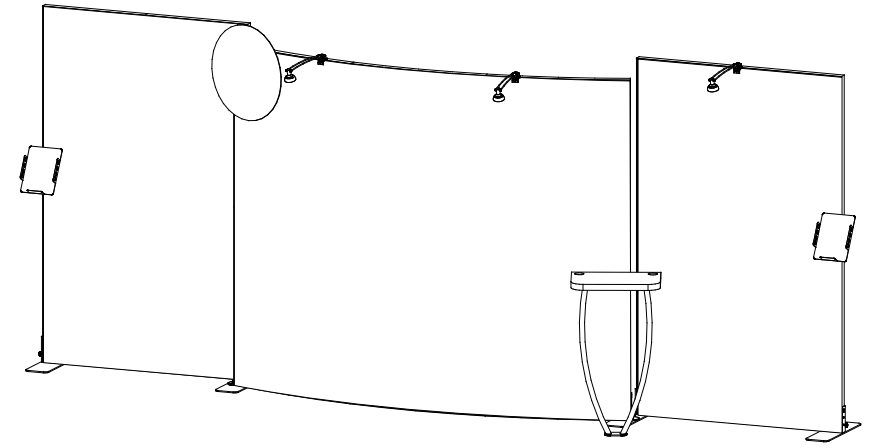
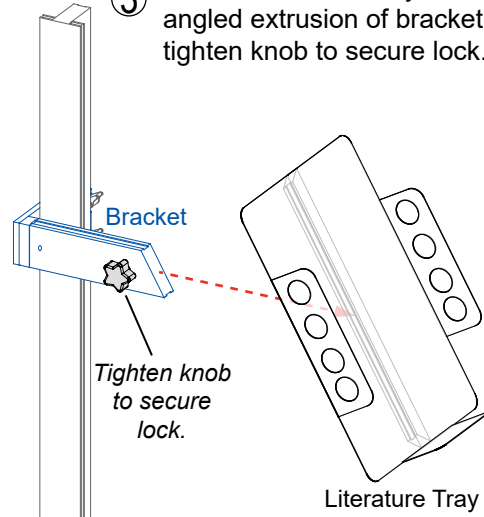
① Slide bracket over V4 connector on vertical extrusion.

② Tighten knobs of V4 connector to secure bracket in place.

③ Attach Literature Tray to angled extrusion of bracket; tighten knob to secure lock.



V4 connectors stay permanently attached to vertical extrusion.



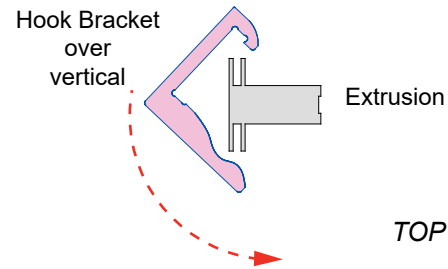
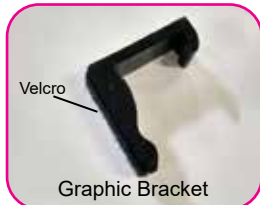
When assembled

Steps:

- 1) Attach Literature Trays to backwall verticals as shown. See Literature Tray Attachment detail.
- 2) Connect Floating Graphic to backwall using brackets. See Floating Graphic Attachment detail.

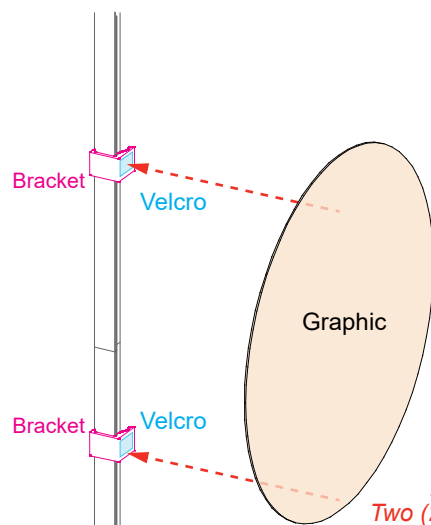
\* Floating Graphic Attachment

① Hook the Graphic Bracket onto the extrusion & snap into place.

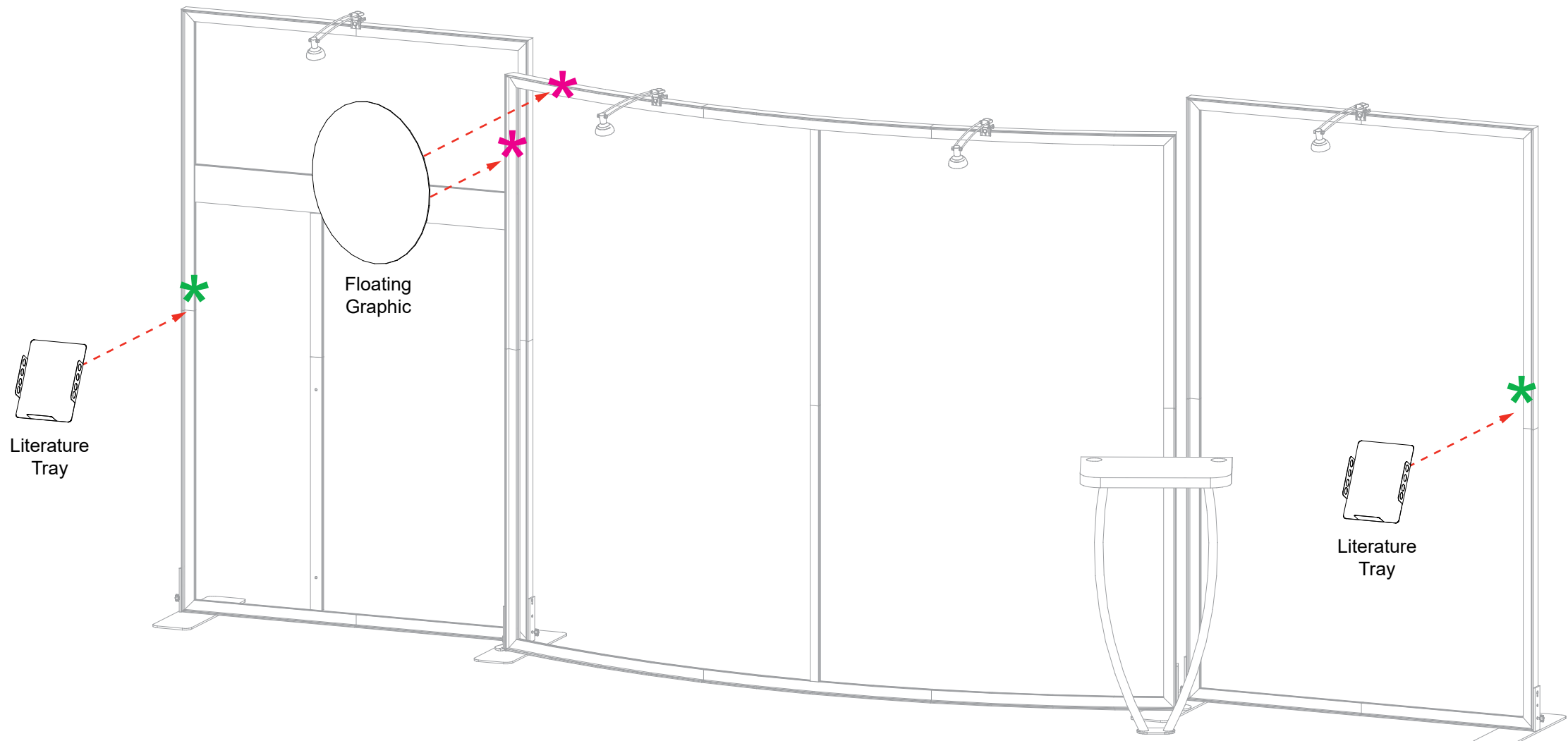


TOP VIEW

② Affix graphic to Bracket using Velcro.



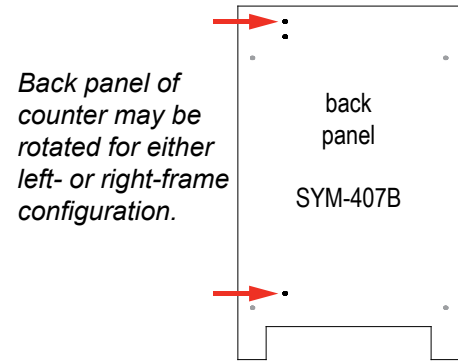
Brackets may be attached to horizontal or vertical extrusion. Two (2) brackets are required per graphic.





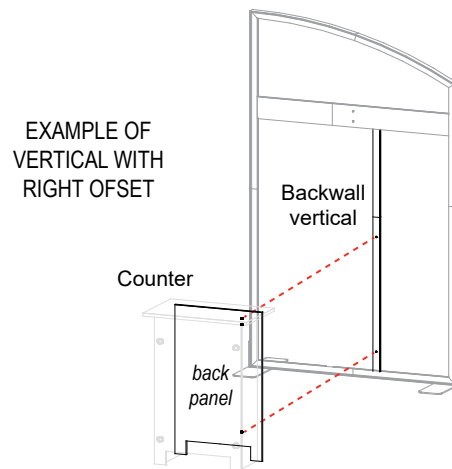
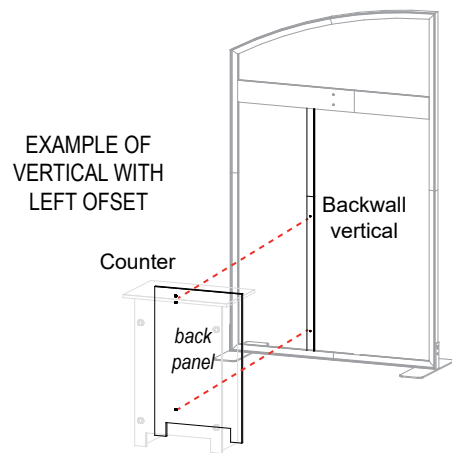
**Back Panel Hole Placement**

Holes on back panel of Counter are off-center to attach to backwall vertical.



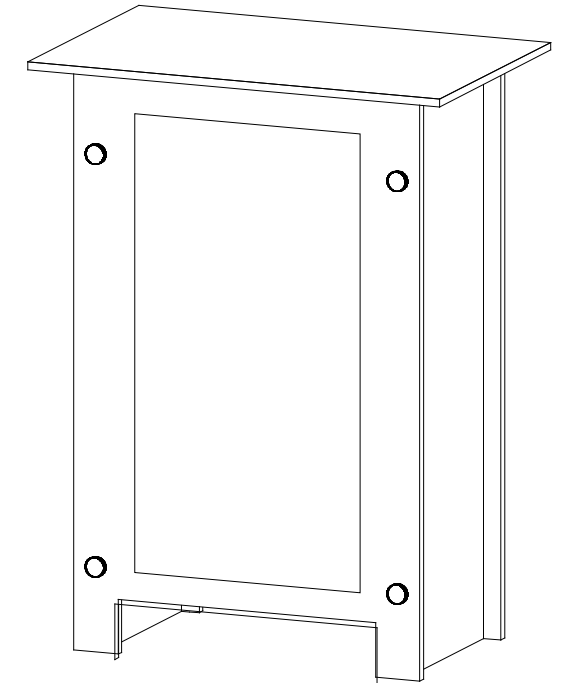
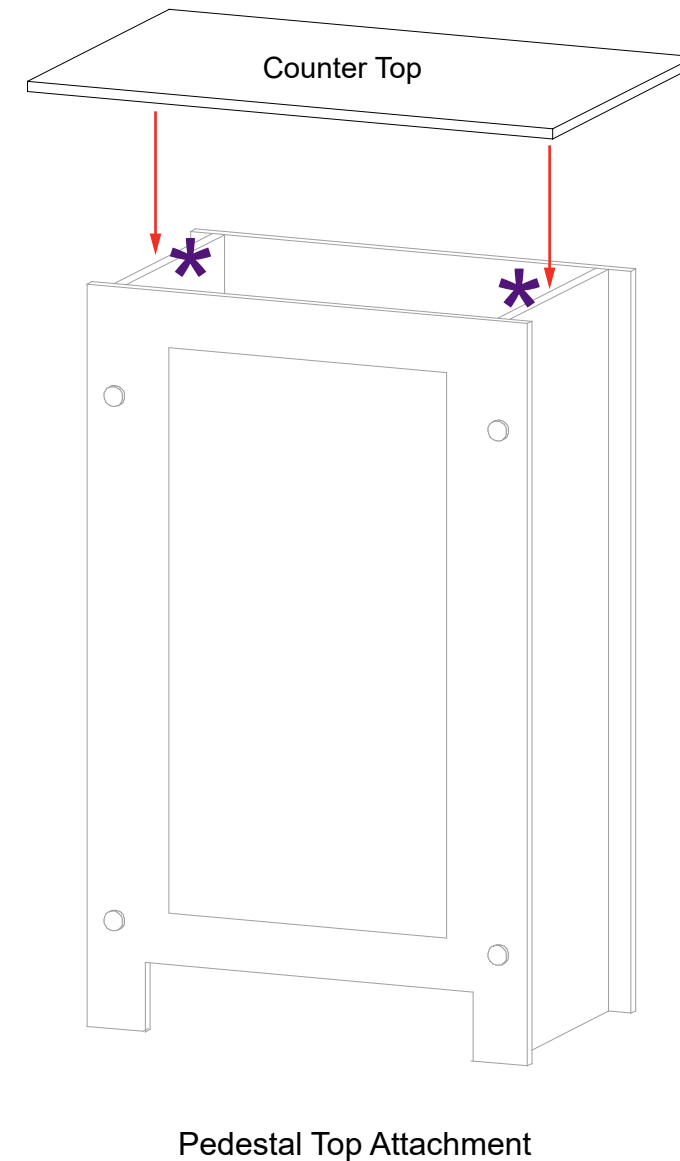
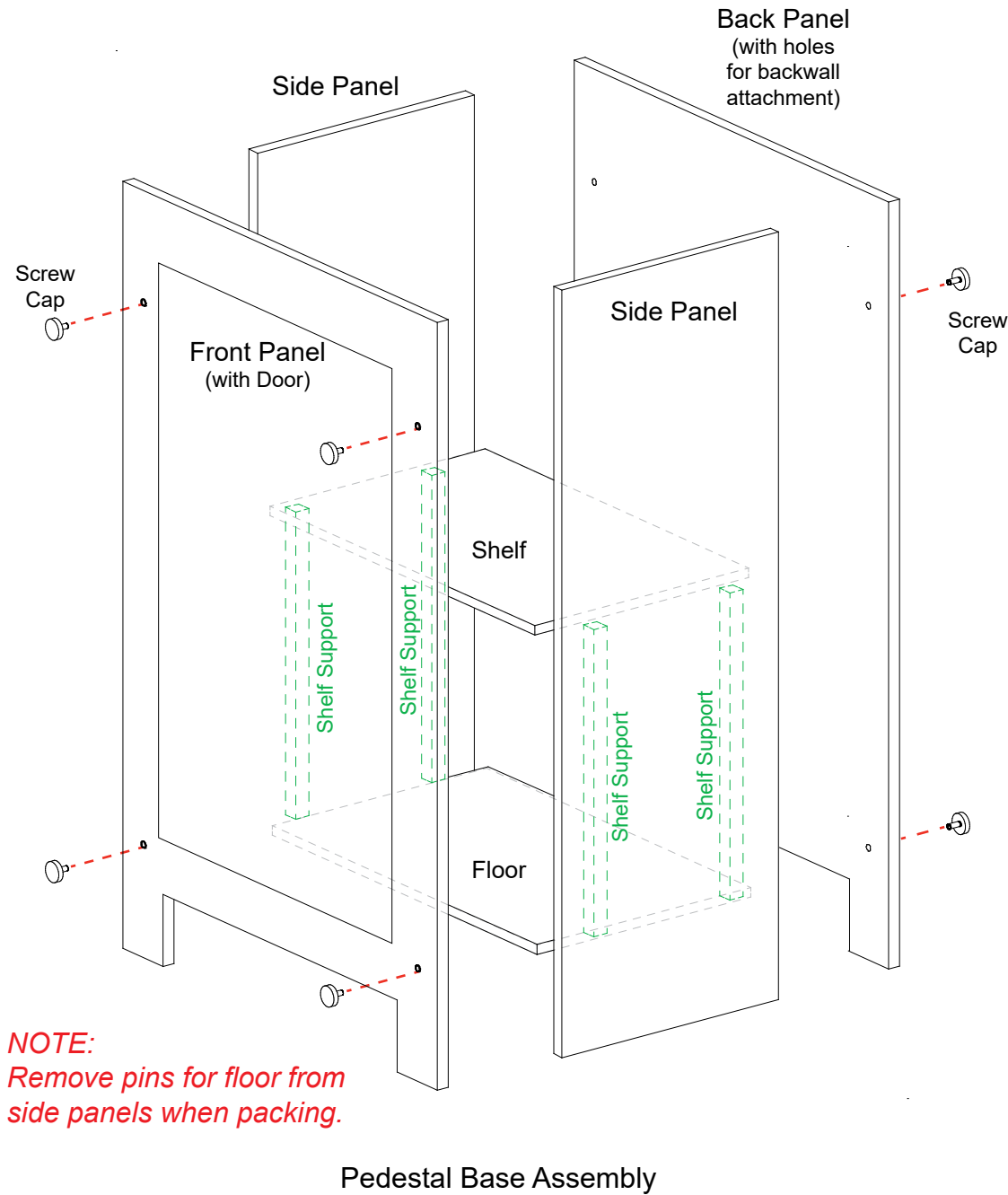
When assembling counter, align holes of back panel to vertical extrusion of backwall frame.

Counter should be *centered* on backwall frame when installed.



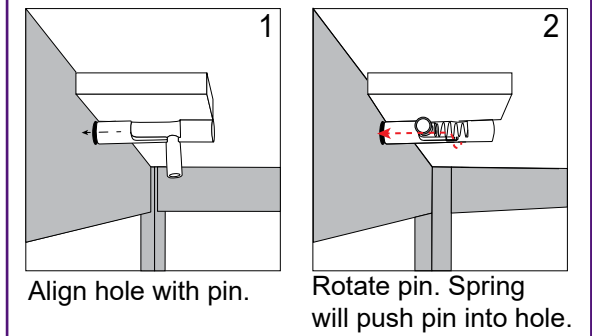
**Steps:**

- 1) Attach pins at bottom interior of side panels. *Note: Pins are designed to be slightly angled.*
- 2) Use screw caps to secure side panels to front & back panels.
- 3) Slide floor into the bottom of assembled pedestal base. The floor will sit on pins of the side panels.
- 4) Connect **shelf supports** with Velcro inside of panels, then place shelf on top of supports.
- 5) Attach Counter Top to assembled pedestal base. See **Counter Top Attachment** detail.



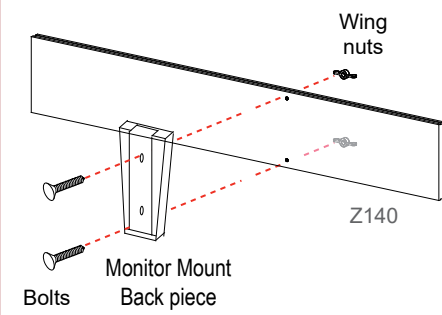
When assembled  
SYM-407B Backwall Counter

**\* Counter Top Attachment**



**\* Monitor Mount Attachment**

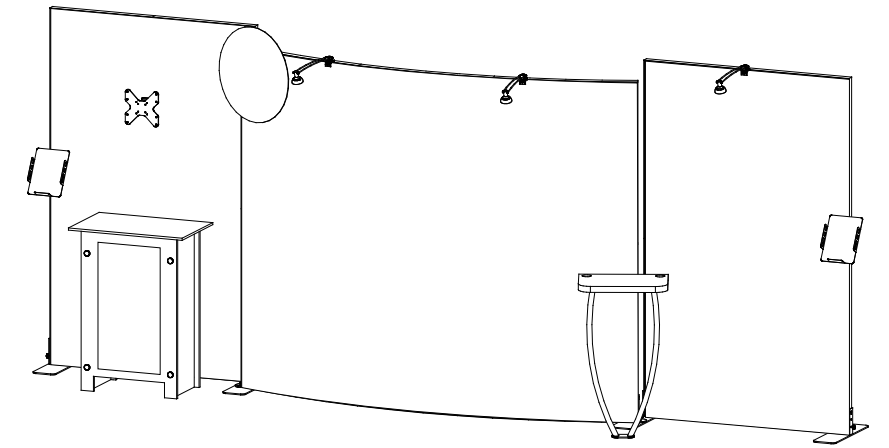
Attach Monitor Mount back piece to extrusion using bolts & wing nuts.



Slide monitor mount into back piece.

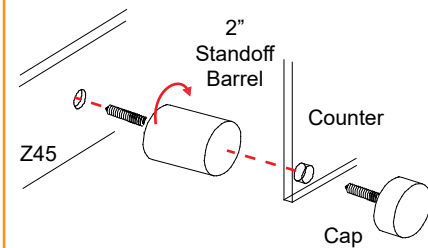
Steps:

- 1) Attach Monitor Mount to backwall verticals. See **Monitor Mount Attachment** detail.
- 2) Attach Counters to backwall verticals, using standoff barrels & screw caps. See **Standoff Barrel Attachment** detail.

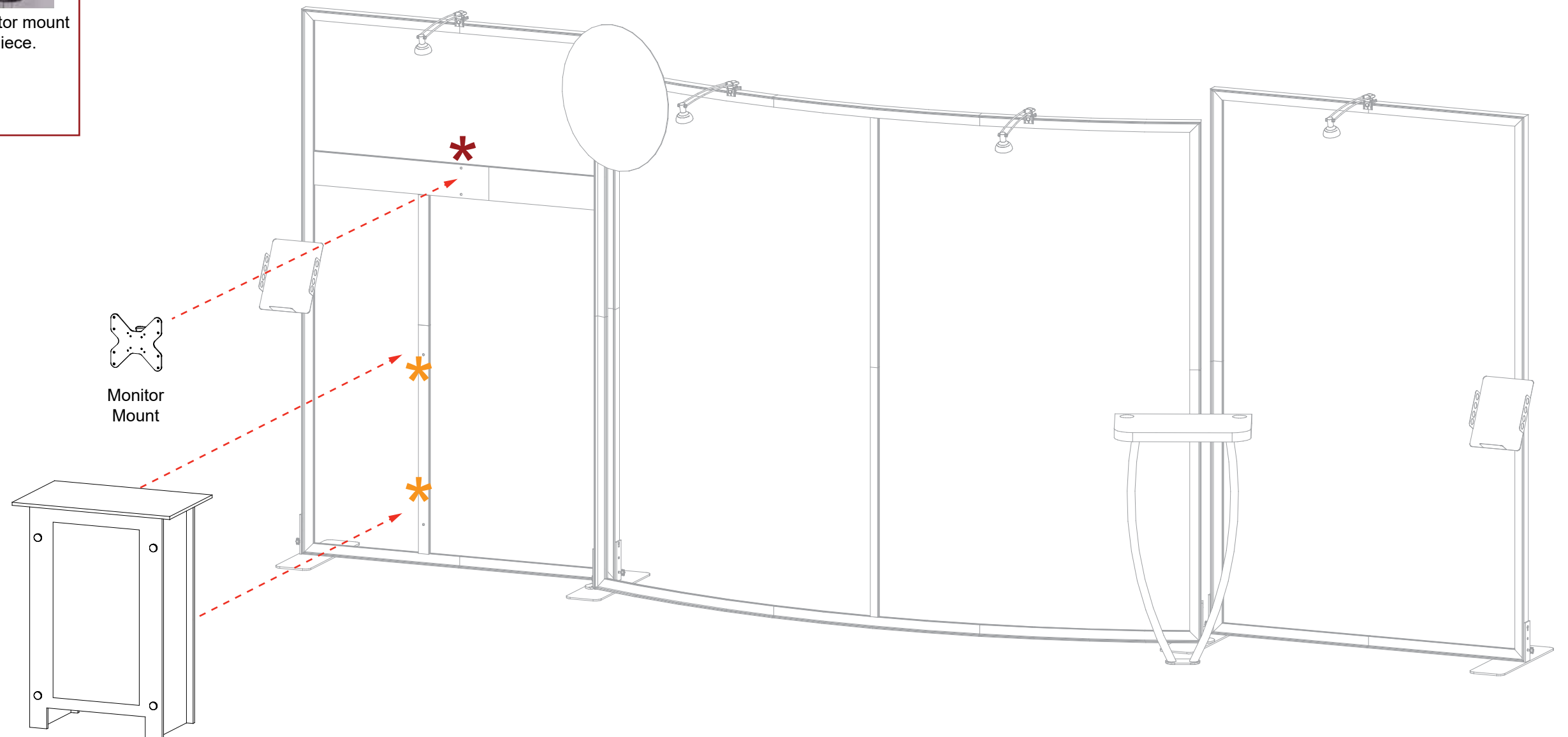


Completed Assembly

**\* Standoff Barrel Attachment**



Attach standoff barrels to backwall and secure in place. Secure Counter to standoff barrels using screw caps.

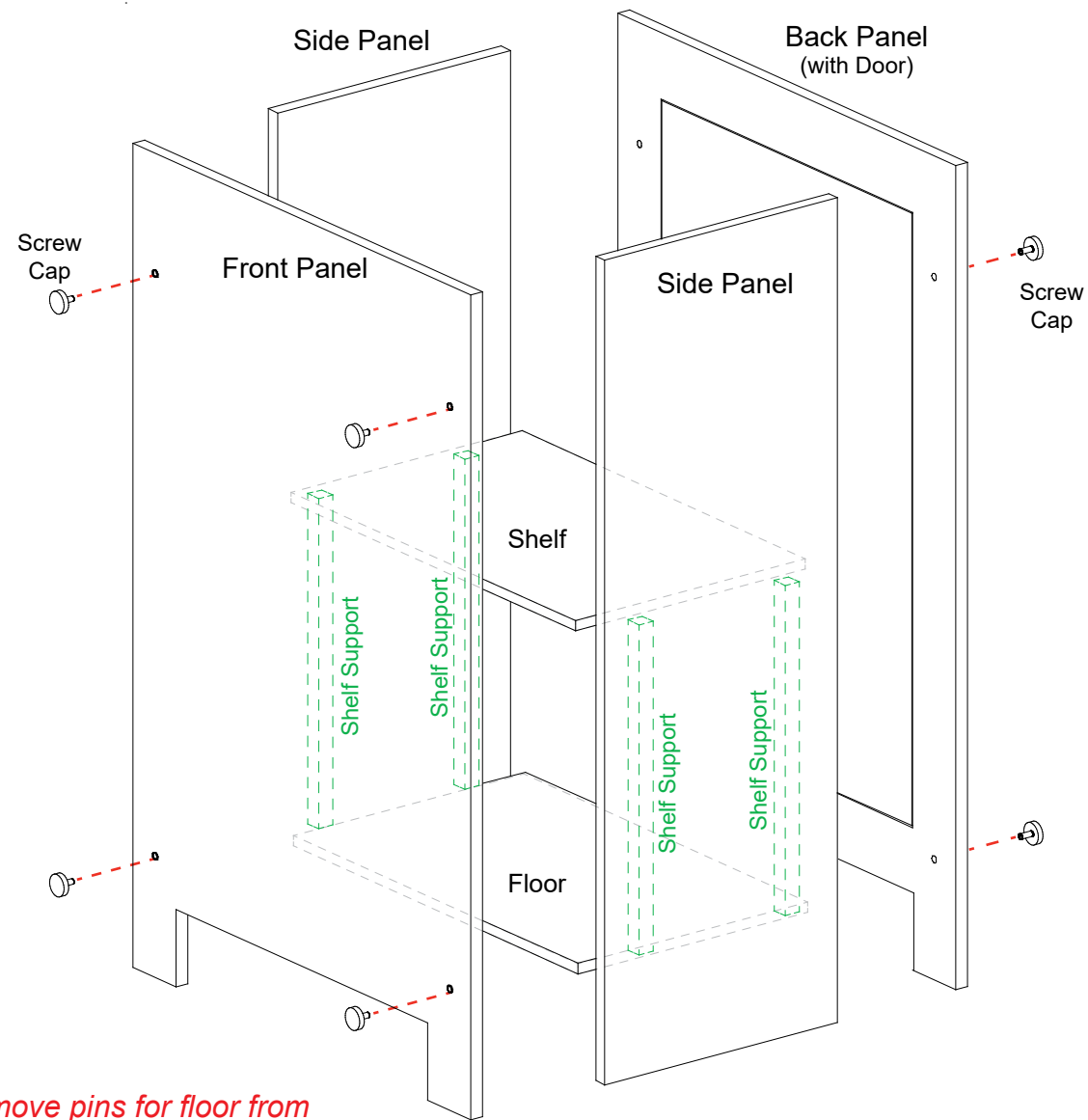


Backwall Counter

Monitor Mount

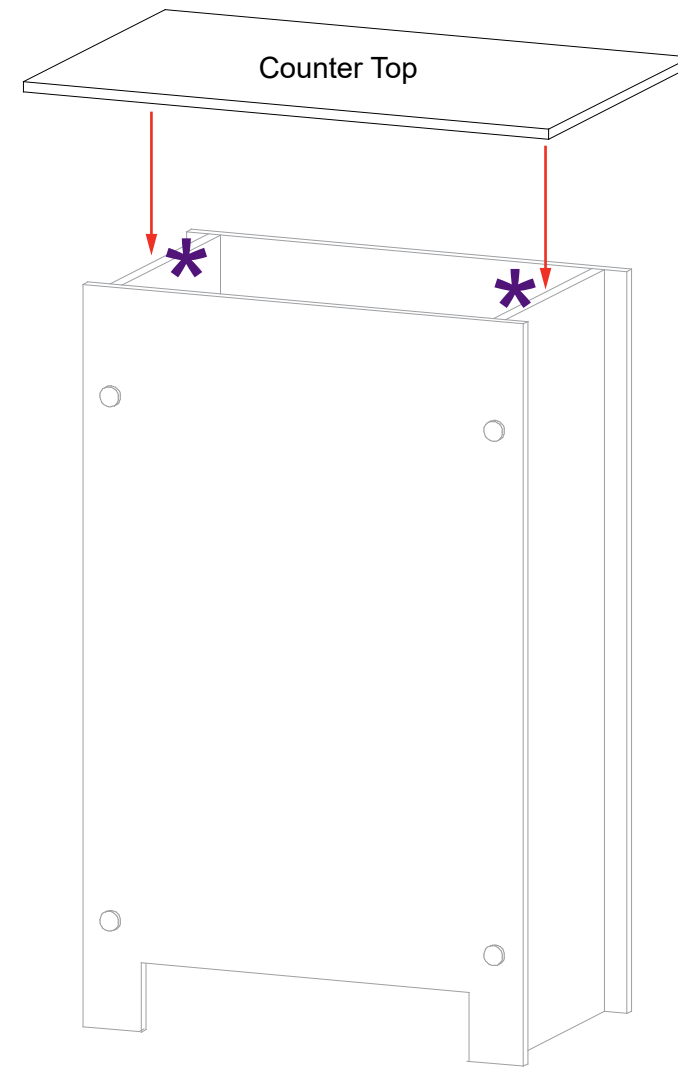
Steps:

- 1) Attach pins at bottom interior of side panels. *Note: Pins are designed to be slightly angled.*
- 2) Use screw caps to secure side panels to front & back panels.
- 3) Slide floor into the bottom of assembled pedestal base. The floor will sit on pins of the side panels.
- 4) Connect shelf supports with Velcro inside of panels, then place shelf on top of supports.
- 5) Attach Counter Top to assembled pedestal base. See Counter Top Attachment detail.

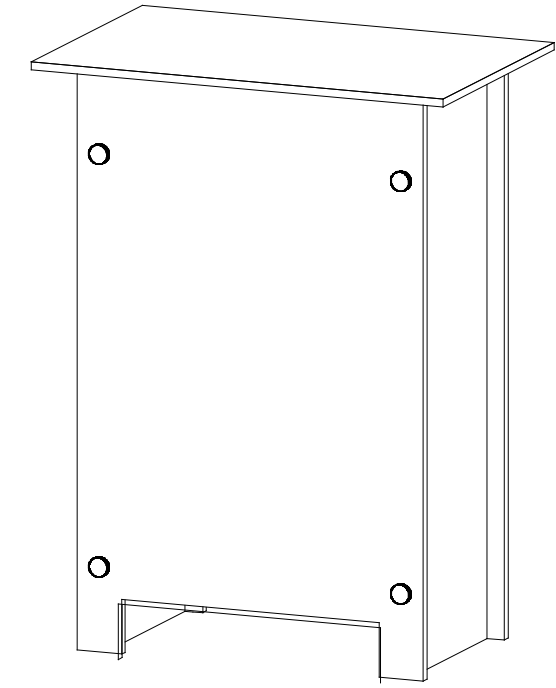


Pedestal Base Assembly

*NOTE: Remove pins for floor from side panels when packing.*



Pedestal Top Attachment



When assembled

