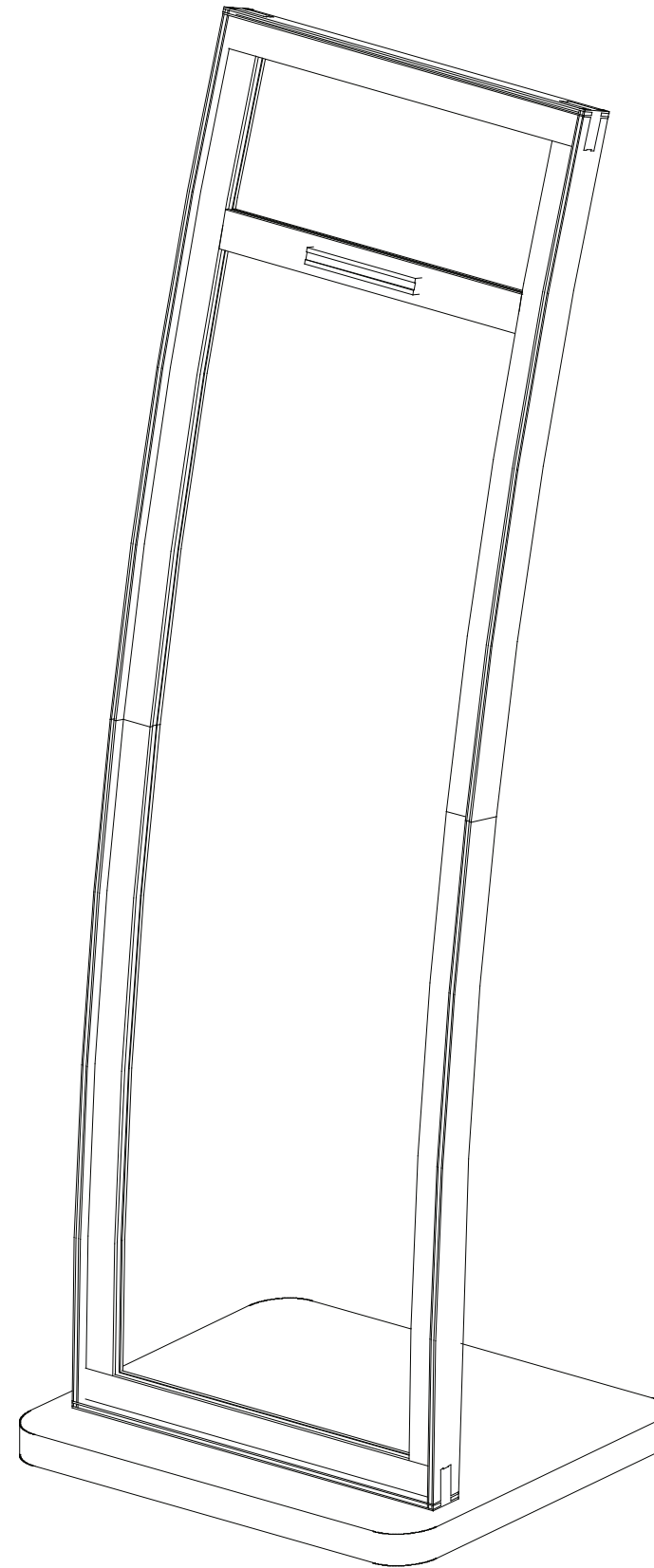


Plan View



General Setup Instructions

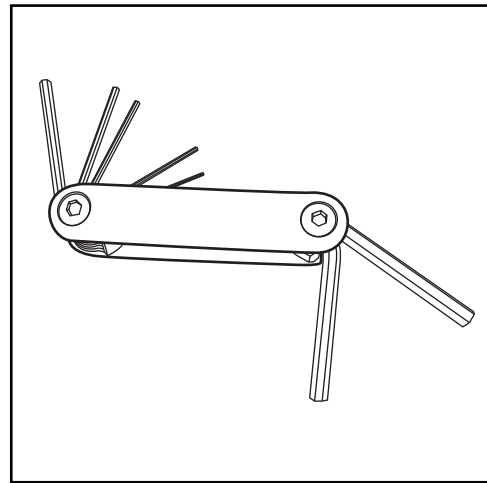
- Read entire setup instruction manual prior to unpacking parts and pieces.
- The setup instructions are created specifically for this configuration.
- Setup instructions are laid out sequentially in steps, including exploded views with detailed explanation for assembly.

Cleaning & Packing

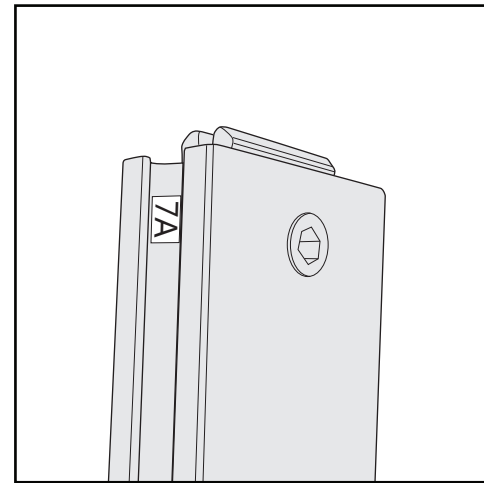
- For Cleaning Metal, Plex, & Laminate Parts: Use a **MILD NON-ABRASIVE** cleanser and soft cloth/paper towel to clean all surfaces.
- Keep exhibit components away from heat and prolonged sun exposure.
Heat and UV exposure will warp and fade components.
- Retain all provided Packing Materials. All provided packing materials are for ease of repacking & component protection.

Disassembly

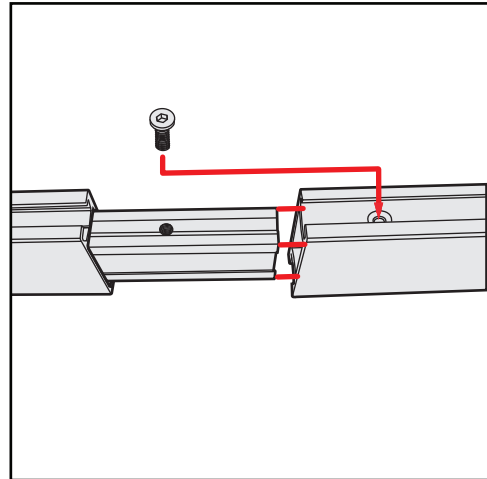
- For loss prevention, tighten all setscrews and locks during disassembly



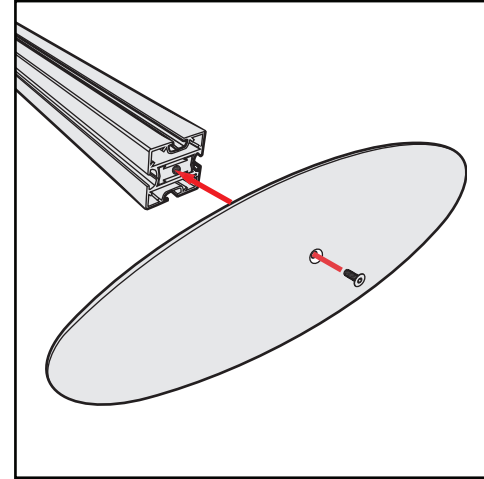
Hex Tool - Essential for Assembly



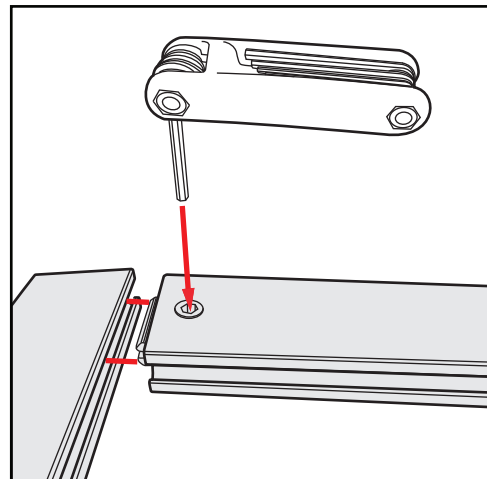
Part Identification - Numbering



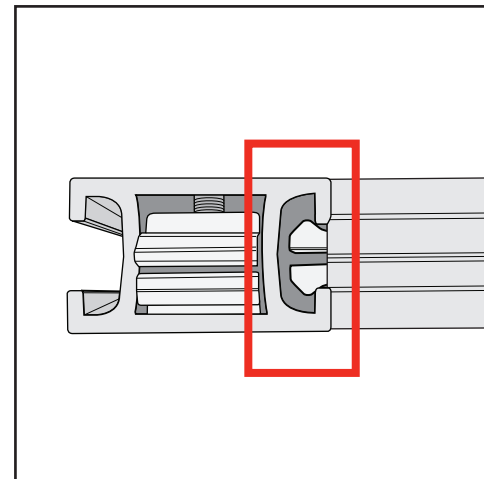
Spline Connection



Base Plate & Extrusion Connection



Extrusion & Lock Connection



Engaged Lock



WARNING



DO NOT USE POWER TOOLS

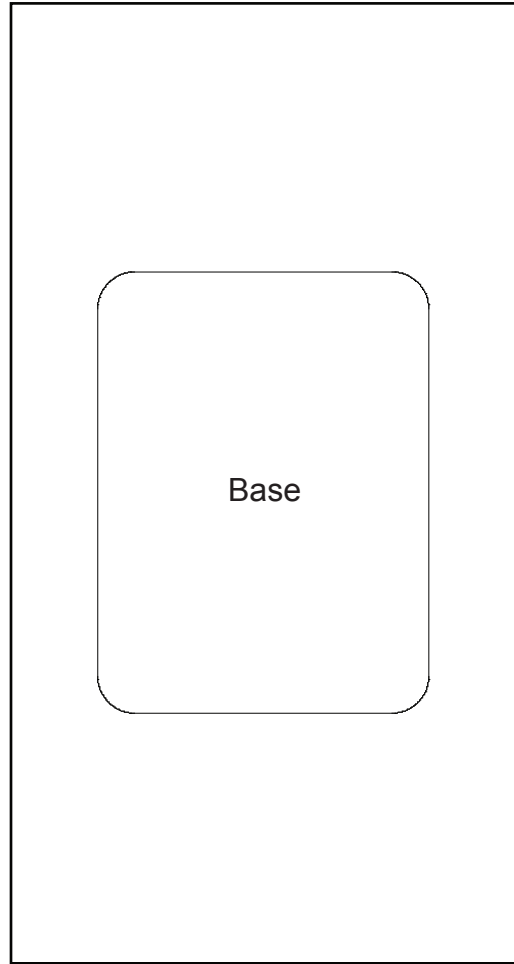


LADDERS OR LIFTS
MAY BE REQUIRED

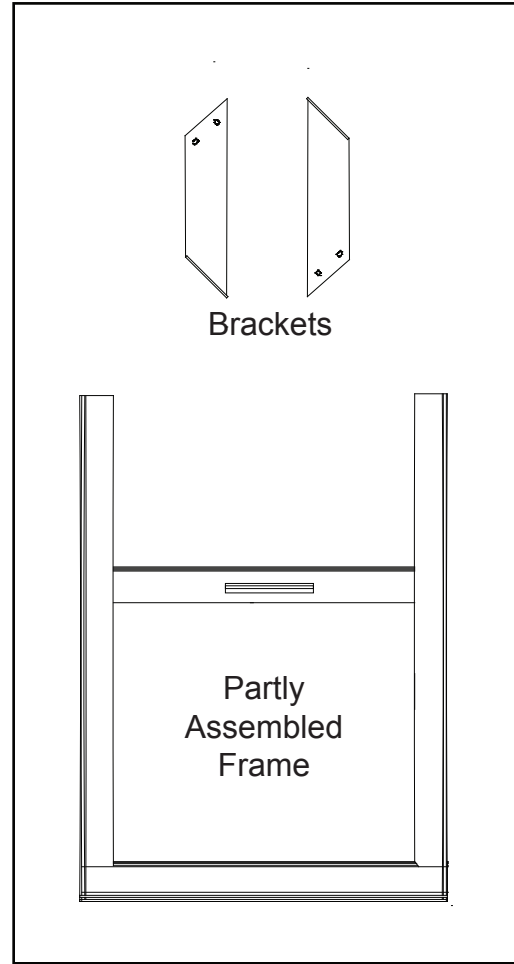


ALL CONNECTIONS MUST
BE TIGHTLY SECURED

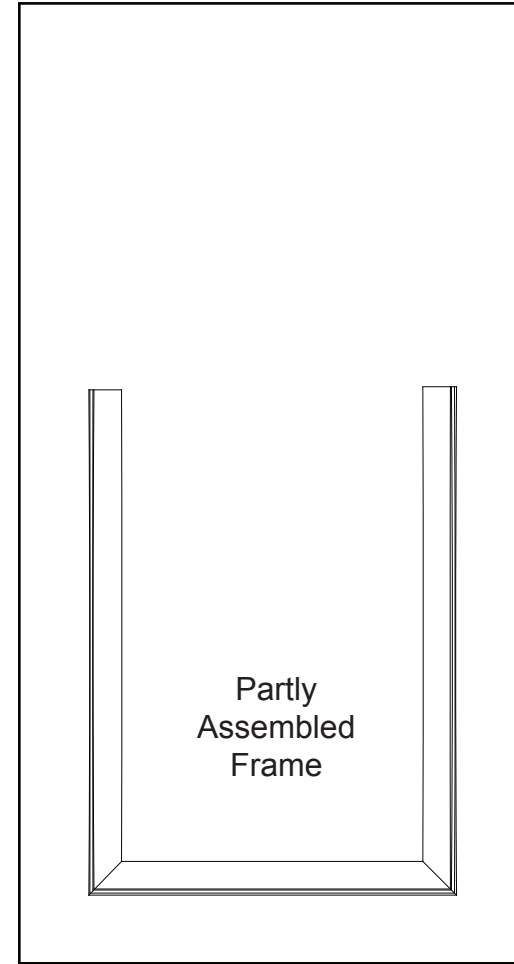
Top View of Each Level



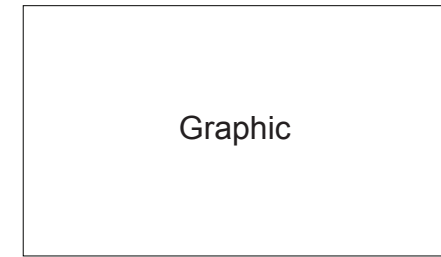
Level 1



Level 2



Level 3



Graphic

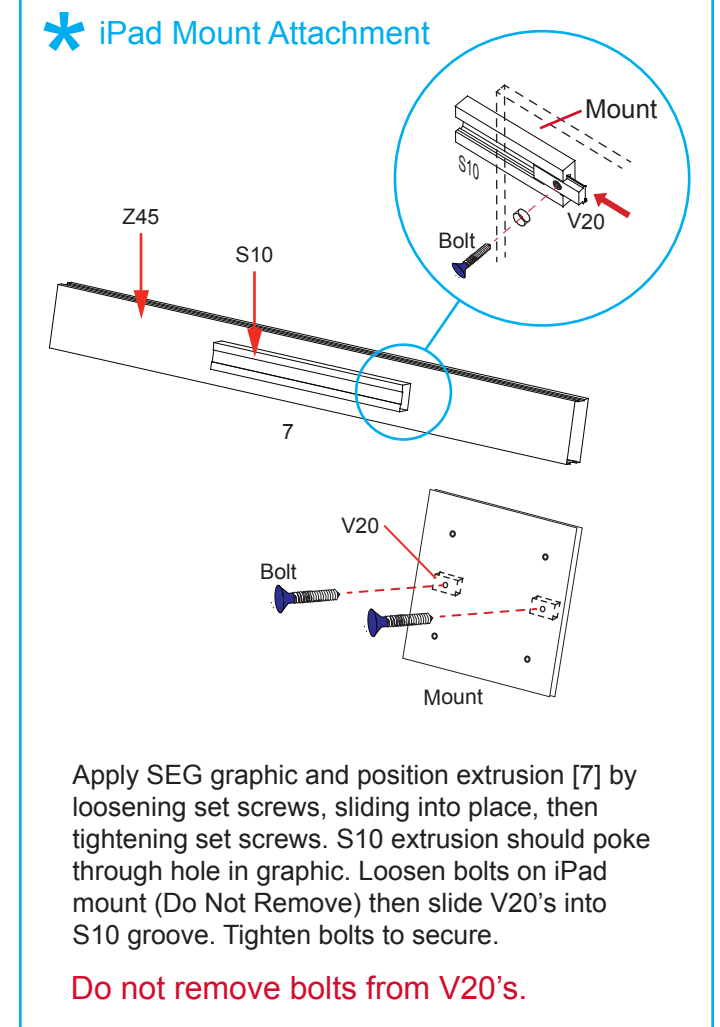
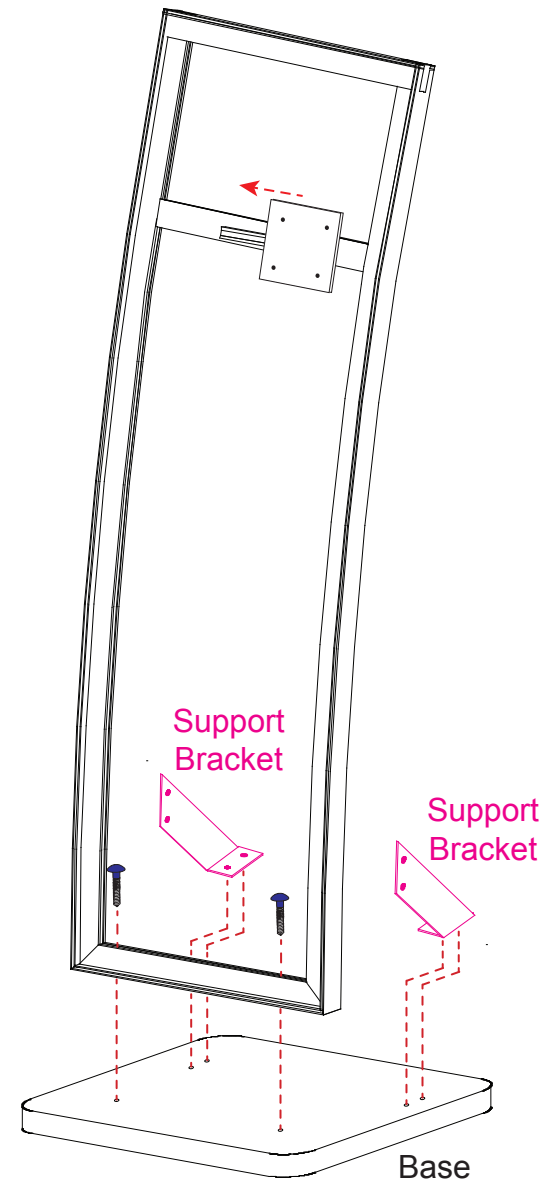
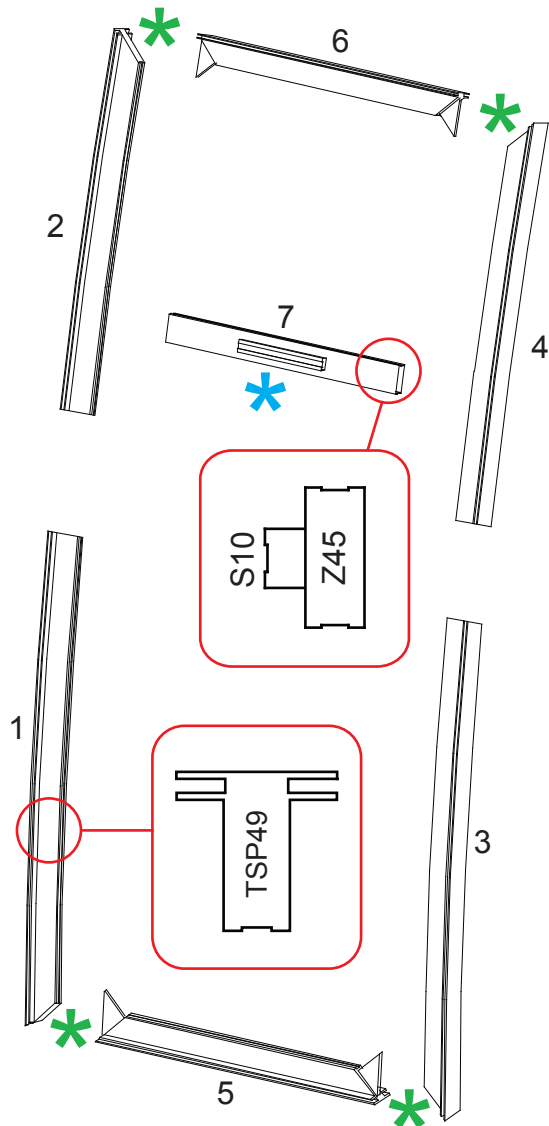
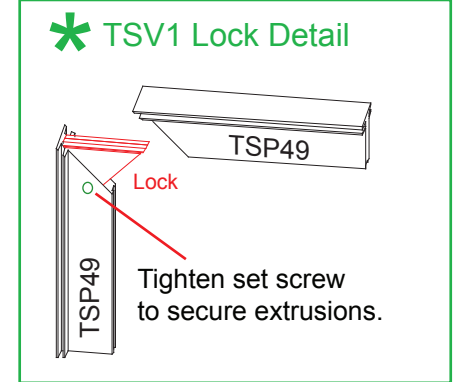
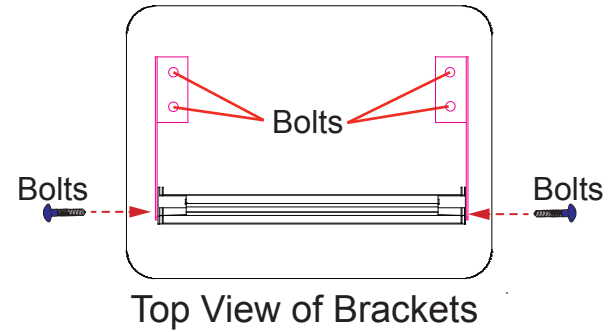


Setup Hardware

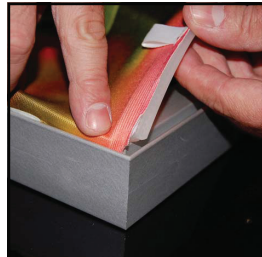
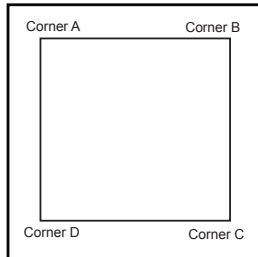
Item	Qty.	Description
1	1	32.075" TSP49 Curved Extrusion
2	1	32.075" TSP49 Curved Extrusion
3	1	32.075" TSP49 Curved Extrusion
4	1	32.075" TSP49 Curved Extrusion
5	1	20" TSP49 Horizontal Extrusion
6	1	20" TSP49 Horizontal Extrusion
7	1	16.417" Z45 Horizontal Extrusion w/ 6" S10

Steps:

- 1) Connect curved extrusions [1] to [2] and [3] to [4].
 - 2) Connect assemblies [1/2] and [2/3] to [5] and [6].
 - 3) Attach assembled frame to base, using bolts.
 - 4) Attach **Support Brackets** to back, using bolts.
 - 5) Apply front SEG graphic. See **SEG Graphic Installation** detail.
 - 6) Position horizontal [7], then lock in place.
 - 7) Attach iPad mount. See **iPad Mount Attachment** detail.
- Continued page 2 --



SEG Graphic Installation

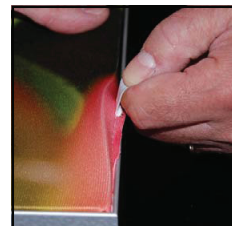


It is important to first insert graphic into each alternate corner then to the sides of the frame. If this is not done, graphic will not fit into the frame correctly.

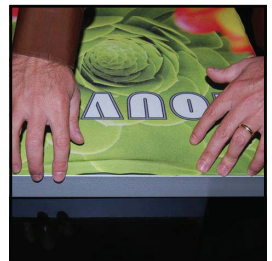
Step 1
Insert corner A. Turn edge of graphic so silicon welt is perpendicular to face of graphic. Insert narrow side of welt with fabric to outside into the channel. Repeat for other side of this corner.

Step 2
Repeat Step 1 for opposite corner C, then insert corner D, to complete the installation of the corners.

Graphic Removal



To remove the graphic from the frame, locate the fabric pull tab. Gently pull up on the tab to remove the fabric.



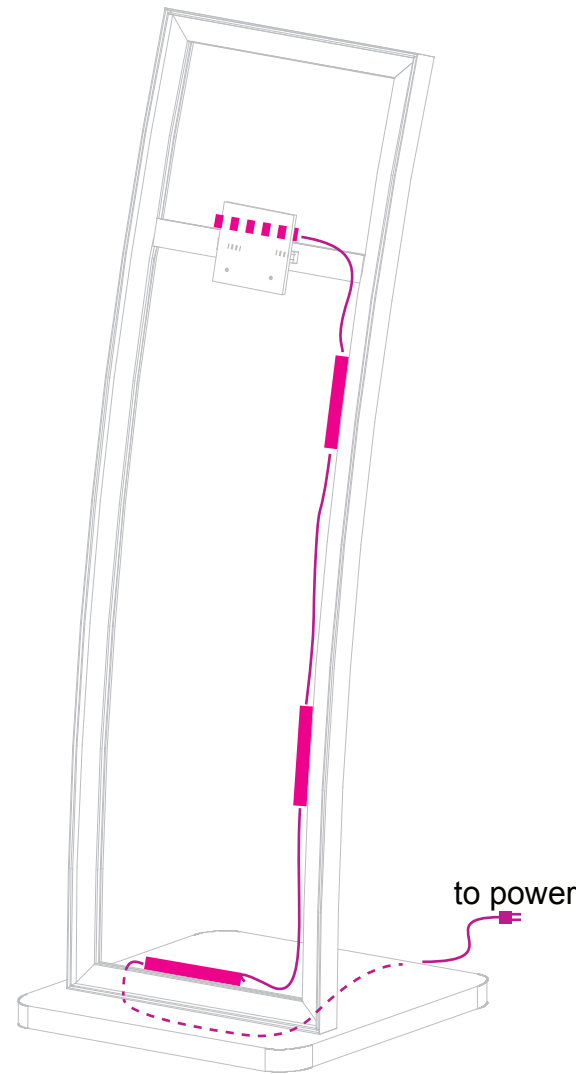
Step 3
Once all corners are inserted, press one silicon edge into channel from corners and work toward the center. Make sure welt is fully inserted into channel. Continue until all sides are done. Smooth out edges of graphic.

--Steps Continued--

- 9) Attach Clamshell with iPad and route cords. See [Clamshell Attachment](#) detail.
- 10) Attach Conduit for cord management. See [Cord Management Attachment](#) detail.
- 11) Install back SEG Graphic to assembled frame.

Cord Management

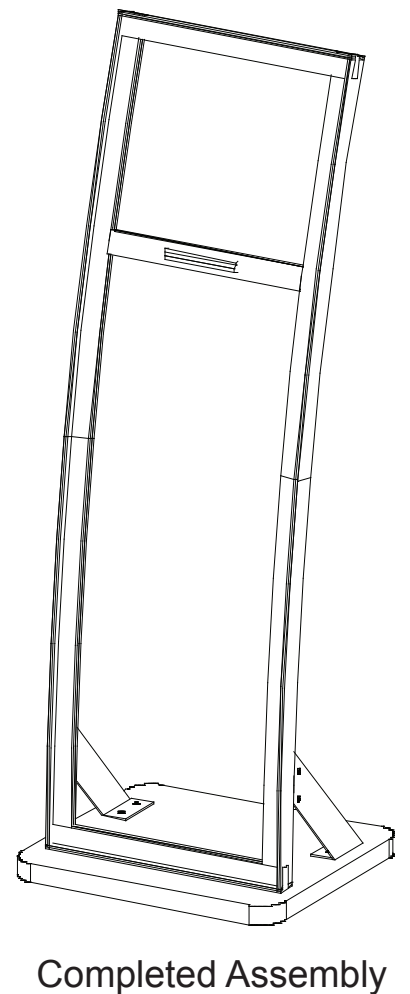
Run cords through plastic Conduit, then attach Conduit by pinching the opening and inserting into the groove of the TSP49.



Optional Cover for Home Button

- 1) Remove foam lining from inside bottom of Clamshell.
- 2) Attach Home Button Shield with double-sided tape to inside of Clamshell, keeping top of shield flush with Clamshell opening.

NOTE: This is a permanent fix and can't be easily removed.



Clamshell Attachment

Connect Clamshell to Mount Plate then secure with Hex Nuts. Insert iPad.